

HIJO DE MIGUEL

PANADERO

Mod.

H IZQ / H DER

FIREPLACE

FOYER

HOGAR

INBOUWHAARD

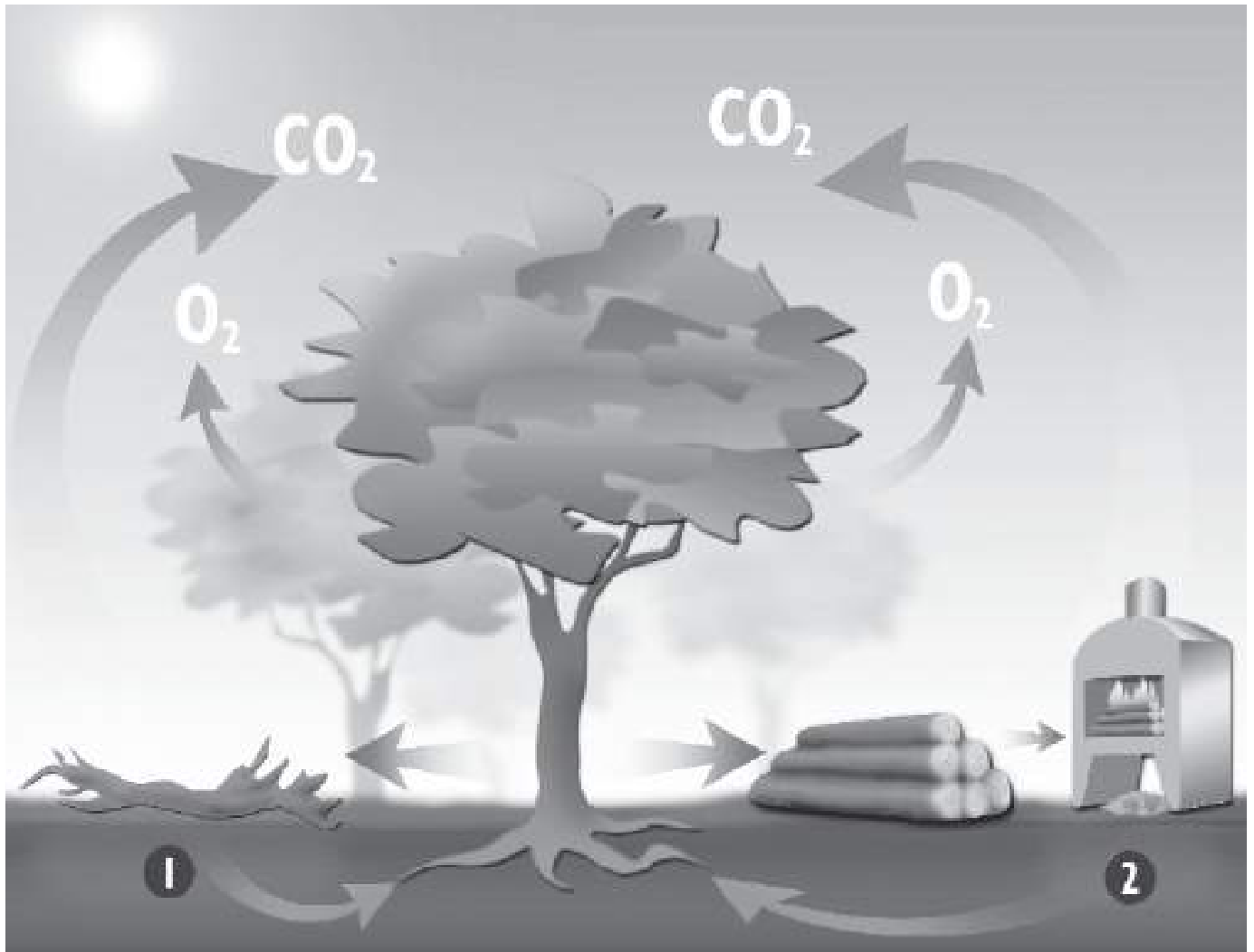
WKLAD KOMINKOWY

RECUPERADOR

INSERTO



USAGE AND MAINTENANCE INSTRUCTIONS	p. 4
INSTRUCTIONS D'UTILISATION ET D'ENTRETIEN.....	p. 8
INSTRUCCIONES DE UTILIZACIÓN Y DE MANTENIMIENTO.....	p. 12
GEBRUIKS- EN ONDERHOUDSAANWIJZINGEN.....	p. 16
INSTRUKCJA UŻYTKOWANIA I KONSERWACJI	p. 20
INSTRUÇÕES DE UTILIZAÇÃO E MANUTENÇÃO	p. 25
GEBRAUCHS-UND WARTUNGSANLEITUNG	p. 29
ISTRUZIONI D'USO E MANUTENZIONE	p. 33
INSTALLATION.....	p. 37



1 Nutrients/Eléments nutritifs/ Nutrientes/Voedingsstoffen

2 Ashes - Fertilizer / Cendres – Engrais / Cenizas – Abono / Assen - Kunstmest

Wood: an ecological fuel

Wood is a renewable source of energy which answers the energy and environmental demands of the 21st century.

Throughout its long life, a tree grows from sunlight, water, mineral salts and CO₂. Following the general pattern of nature, it soaks up energy from the sun and supplies us with the oxygen essential for animal life.

The quantity of CO₂ given off during the combustion of wood is no greater than that given off by its natural decomposition. This means we have a source of energy that respects the natural cycle of millions of years. Burning wood does not increase the CO₂ in the atmosphere, making it an ecological source of energy which plays no part in the greenhouse effect.

In our wood-burning stoves logs are burnt cleanly without leaving any residue. Wood ash is a high quality fertilizer, rich in mineral salts.

In buying a wood-burning stove, you will help the environment, your heating will be very economical and you will be able to enjoy watching the flames, something no other form of heating can offer.

Le bois: une énergie écologique

Le bois est une énergie renouvelable qui répond aux défis énergétiques et environnementaux du 21^{ème} siècle.

Tout au long de sa vie, un arbre pousse grâce à la lumière du soleil, l'eau, les sels minéraux et le CO₂. Il accumule de manière naturelle l'énergie solaire et nous offre l'oxygène indispensable à la vie.

La quantité de CO₂ qui se dégage pendant la combustion du bois n'est pas supérieure à celle qui serait émise lors de sa décomposition naturelle. Nous sommes donc devant un type d'énergie qui respecte le cycle naturel de millions d'années. La combustion du bois n'augmente pas le CO₂ dans l'environnement, c'est une énergie écologique qui ne participe pas à l'effet de serre.

Avec nos poêles, le bois se brûle proprement et ne laisse aucun résidu. La cendre du bois représente un engrais de haute qualité, riche en sels minéraux.

En achetant un poêle à bois, vous aidez l'environnement, vous aurez un chauffage économique et vous pourrez apprécier ce spectacle des flammes qu'aucun autre type de chauffage peut offrir.

La leña: una energía ecológica

La leña es una energía renovable que responde a los retos energéticos y medioambientales del siglo XXI.

A lo largo de su vida, un árbol crece gracias a la luz solar, el agua, las sales minerales y el CO₂. Acumula de forma natural la energía del sol y nos da el oxígeno indispensable para la vida.

La cantidad de CO₂ que se desprende durante la combustión de la leña no es superior a la que se emitiría por su descomposición natural. Por lo tanto estamos ante un tipo de energía que respeta el ciclo natural de millones de años. La combustión de la leña no aumenta el CO₂ en el medioambiente, por lo que es una energía ecológica que no participa del efecto invernadero.

En nuestras estufas, la leña se quema limpiamente y no deja residuos. La ceniza de leña es una abono de alta calidad, rico en sales minerales. Al comprar una estufa de leña, usted está ayudando al medioambiente, tendrá una calefacción económica, y disfrutará de ese espectáculo de la llamas que ningún otro tipo de calefacción puede ofrecer.

Drewno: paliwo ekologiczne

Drewno jest energią odnawialną, która odpowiada na wyzwania energetyczne i ekologiczne XXI wieku. Podczas całego swojego życia drzewo rośnie dzięki światłu słonecznemu, wodzie, solom mineralnym i dwutlenkowi węgla (CO₂). W sposób naturalny akumuluje energię i daje nam tlen niezbędny do życia.

Ilość dwutlenku węgla wydzielanego podczas spalania drewna nie jest większa od tej, jaka byłaby wydzielana w trakcie jego rozkładu naturalnego. Dzięki temu mamy do czynienia z energią, która jest w zgodzie z cyklem natury trwającym miliony lat. Spalanie drewna nie zwiększa poziomu CO₂ w środowisku, przez co drewno jest paliwem ekologicznym, nie przyczynia się do wzrostu efektu cieplarnianego.

W naszych piecykach drewno spala się całkowicie i nie pozostawia odpadów. Popiół, który pozostaje jest nawozem wysokiej jakości, bogatym w sole mineralne. Kupując piecyk kominkowy opalany drewnem pomagają Państwo dbać o środowisko, korzystają z ekonomicznego ogrzewania i mają możliwość podziwiania piękną płomieni, którego nie zapewni Państwu żaden inny rodzaj ogrzewania.

Il legno: un'energia ecologica

Il legno è una fonte d'energia rinnovabile che offre una soluzione alle sfide energetiche e ambientali del XXI secolo.

Un albero cresce grazie alla luce del sole, all'acqua, ai sali minerali e alla CO₂. Accumula in modo naturale l'energia del sole e ci fornisce l'ossigeno indispensabile alla vita.

La quantità di CO₂ che si produce durante la combustione del legno non è superiore a quella che libererebbe per scomposizione naturale. Pertanto ci troviamo in presenza di un tipo di energia che rispetta il ciclo naturale di milioni di anni. La combustione del legno non aumenta il livello di CO₂ presente nell'ambiente, quindi si tratta di una fonte d'energia ecologica che non contribuisce all'effetto serra.

Nelle nostre stufe, la legna brucia in modo pulito e non lascia residui. La cenere del legno è un fertilizzante d'elevata qualità, ricco di sali minerali. Quando compra una stufa a legna, dà una mano all'ambiente, ottiene un riscaldamento economico, e può godere dello spettacolo delle fiamme che nessun altro tipo di riscaldamento le può offrire.

Brandhout: milieuvriendelijke energie

Brandhout is een vervangbare energie die voldoet aan de energie- en milieu-eisen van de 21^{ste} eeuw.

In de loop van zijn leven groeit een boom dankzij zonlicht, water, mineraalzouten en CO₂. Hij verzamelt op natuurlijke wijze de zonne-energie en geeft ons de zuurstof die nodig is om te leven.

De hoeveelheid CO₂ die tijdens het stoken van hout wordt uitgestoten is niet groter dan die vrijkomt door natuurlijke ontbinding. Daarom hebben we te maken met een energiesoort die de natuurlijke cyclus van miljoenen jaren respecteert. De verbranding van hout verhoogt de CO₂-emissie in het milieu niet, waardoor het een milieuvriendelijke energie is die niet bijdraagt aan het broeikas-effect.

In onze kachels wordt het brandhout schoon en zonder afvalstoffen gestookt. Houtas is mest van hoge kwaliteit en rijk aan mineraalzouten. Door een houtkachel te kopen helpt u het milieu, heeft u een goedkope verwarming en geniet u van de gezellige vlammen die geen andere verwarming u kan bieden.

A lenha: uma energia ecológica

A lenha é uma energia renovável que responde às exigências energéticas e de meio-ambiente do século XXI.

Ao longo da sua vida, uma árvore cresce graças à luz solar, à água, aos sais minerais e ao CO₂. Acumula, de forma natural, a energia do sol e dá-nos o oxigénio indispensável para a vida.

A quantidade de CO₂ que se liberta durante a combustão da lenha não é superior à que se emitiria através da sua decomposição natural. Portanto, estamos perante um tipo de energia que respeita o ciclo natural de milhões de anos. A combustão da lenha não aumenta o CO₂ no meio-ambiente, pelo que é uma energia ecológica que não contribui para o efeito de estufa.

Nas nossas salamandras a lenha queima-se de forma limpa, sem deixar resíduos. A cinza da lenha é um adubo de alta qualidade, rico em sais minerais. Ao comprar uma salamandra de lenha está a ajudar o meio-ambiente, terá um aquecimento económico e desfrutará do espectáculo das chamas que nenhum outro tipo de aquecimento pode oferecer.

Holz: ein ökologischer Brennstoff

Holz ist eine erneuerbare Energiequelle, die den Anforderungen des 21. Jahrhunderts an Energiegewinnung und Umweltschutz gerecht wird.

Ein Baum wächst durch Sonnenlicht, Wasser, Mineralsalze und Kohlendioxid. Auf diese Weise speichert er im Laufe seines Lebens Sonnenenergie und stellt uns Sauerstoff zum Atmen zur Verfügung.

Die Menge an CO₂, die beim Verbrennen von Holz abgegeben wird, entspricht der beim natürlichen Zerfall freigesetzten Menge. Es handelt sich also um eine Energieform, die sich in den natürlichen Kreislauf von Jahr zu Jahr einfügt. Die Verbrennung von Holz führt nicht zur Erhöhung des Kohlendioxid-Anteils in der Atmosphäre und stellt eine ökologische Energieform dar, die nicht zum Treibhauseffekt beiträgt.

Unsere Öfen ermöglichen ein sauberes und rückstandsfreies Verbrennen von Holz. Holzasche ist ein hochwertiger, mineralreicher Dünger. Durch den Kauf eines Holzofens tragen Sie zum Schutz der Umwelt bei und erstehen eine kostengünstige Heizung, die in Ihrem Heim wie keine andere Heizungsart für ein behagliches und romantisches Ambiente sorgt.

USAGE AND MAINTENANCE INSTRUCTIONS

You have purchased a PANADERO product. Apart from correct maintenance, our woodstoves require an installation strictly in accordance with present legislation. Our products comply to the EN 13229 European norm, however it is very important for you to know how to correctly use your woodstove following the recommendations we set out. **For this reason, before installing our product you must read this manual carefully and follow the usage and maintenance instructions.**

The fireplace transmits warmth twofold: first by radiation warmth through the big surface of the vitroc ceramic glass and second by convection warmth. The convection warmth is generated by recuperating the warmth generated on the outer walls of the combustion chamber and by ways of leaving a small area around the fireplace warm air streams are created which exit the fireplace through a grill at the front.

INSTALLATION

You have purchased a wood burning stove with a vermiculite insulated combustion chamber. Do not remove the vermiculite boards!!!!

IMPORTANT: The installation of this fireplace has to be done by a qualified professional. All local regulations, including those referring to National and European standards, need to be complied with when installing the fireplace.

IGNITION

The stove you have just bought offers the best performances, a high efficiency and CO and dust extremely low emissions. In order to get these benefits, the preheated air enters into the combustion chamber through the stoves top. To favour ignition, you should follow the next tips:

- If possible, you should always use small dried pines pieces piled up. Put under this bunch 1 or 2 firelighter and, above it, the dried firewood cut in half lengthwise. Once the firelighter fired, close the door and open the air inlet to the maximum. When the fire takes a correct intensity, you can regulate the heat at your convenience with the lower air inlet.

SMOKE PIPE

- The fireplace may not be installed into a chimney system shared with other appliances.
- Install the tube connections carefully, the connections should be sealed with a refractory putty to prevent soot from falling through the joints, until you reach the exterior exit. Connect the first pipe of the smoke outlet to the fireplace with a minimum 40 mm overlap.
- The installation of the smoke outlet must be as vertical as possible, avoiding the use of joints, angles and deviations that could cause a malfunction of the fireplace.
- If the installation is connected to a masonry chimney pipe we recommend that its internal size should not be too big because this would cause the smoke to get too cold which produces the smoke to return into the fireplace. In case the chimney pipe is too big it is recommended that the pipes should reach the exterior exit.
- In the smoke outlet is via tubing only, at least three meters of vertical tubing are recommended.
- It is recommended to put a hat on the last tube in case it reaches the exterior of your home.

PLACEMENT

- The fireplace has to be installed at a site that supports its heavy weight and everything surrounding it must be of noncombustible material and/or be well insulated.
- You must foresee accessibility for the cleaning of the fireplace, flue and chimney.
- While the fireplace is functioning keep anything away from it that could be damaged by heat like furniture, draperies, paper, clothing,... You should keep a minimum safety distance of 60cm.
- This fireplace must be installed in a well ventilated area. We recommend you have at least one window that can be opened in the room where the fireplace will be installed.

INSTALLATION

- The lower part of the fireplace needs to have a direct air entrance, from the inside or outside, with a size of at least 450 cm²
- It is recommended to install a vent in the area between the roof and the top of the fireplace, isolating all areas close (to improve the sealing), in order to exploit the heat of convection. To do so leave a minimum spacing of 50 mm around the fireplace to create the convection chamber.
- Before installing the fireplace it s recommended to take out all its loose interior parts to avoid breakage, and once placed at its final site reinstall all the interior parts.
- Once positioned, perform a functional test before final embedment. It s recommended to embed the fireplace from the bottom upwards.
- The masonry must not touch the upper part of the fireplace, allow a minimum of 5mm. space to prevent the the creation of fissures in the upper wall due to expansion of the metal.

FUEL

- Use only dry wood with a maximum moisture content of 20%. Wood with a moisture content higher than 50 or 60% does not heat and combusts very badly, and creates a lot of tar, releases excessive amounts of vapour and deposits excess sediments onto the device, glass and smoke outlet.
- The fire should be lit using special fire lighters, or paper and small pieces of wood. Never try to light the fire using alcohol or similar products.
- Do not burn domestic rubbish, plastic materials or greasy products that can pollute the environment and lead to risks of fire due to obstruction of the pipes.

FUNCTION

- **It is normal for smoke to appear during the first few uses of the fireplace, as certain components of the heat-resistant paint burn whilst the pigment of the actual device is fixed. Therefore the room should be aired until the smoke disappears.**
- The device is not designed to function with the door open under any circumstances.
- The device is intended to function intermitently with intervals for recharging the fuel.
- For the lighting process of the device it is recommended you use paper, fire lighters or small sticks of wood. Once the fire starts to burn, add two logs of wood each weighing 1 to 1'3 Kg. as a first initial charge. In this lighting process the air inlets of the device must be kept completely open. Once the fire is more intense, close the door completely (if open) and regulate the intensity of the fire by closing and opening the air inlets.
- In order to achieve the stated nominal heat output of this device a total quantity of 1.7Kg. of wood (roughly two logs weighing 1 Kg. each) must be placed inside at intervals of one hour. In any instance a charge of fuel must not be added to the device until the previous charge has been burnt, leaving only a basic fire bed which is enough to light the next charge but no stronger.
- It is normal for the seal of the glass door panel to melt with use. Even though the device can function without this seal, it is recommended that you replace it seasonally.

- The lower drawer can be removed in order to clear out ash. Empty it regularly without waiting for it to fill up too much, to avoid the grill becoming damaged. Take care with the ash which may still be hot up to 24 hours after the device has been used.
- Do not open the door abruptly in order to avoid smoke being released, and never open it without opening the air draught beforehand. Open the door only in order to put in the appropriate fuel.
- The glass, handles and cassette in general may reach very high temperatures. Do not expose yourself to risks of burns. When handling metal pieces, use the glove provided with the stove.
- Keep children away from the device.
- If you have trouble lighting the device (due to cold weather, etc.) it can be lit with folded or scrunched up paper which is easier to light.
- In case of the fireplace becoming too hot, close the air draughts to reduce the intensity of the fire.
- In case the device does not work properly, close the air inlets and contact the manufacturer.

MAINTENANCE

- It is advisable to clean the glass door panel periodically to avoid blackening by soot deposits. Professional cleaning products are available for this. Never use water.
- Never clean the device while it is in use.
- It is also important to clean the smoke outlet tubing periodically and check there are no blockages before relighting fuel after a long period of non-use. At the start of each season a professional should carry out a revision of the installation.
- At the start of every season a professional should clean your installation.
- In the event of a fire in the smoke outlet, close all air draughts if possible and contact the authorities immediately.
- Any replacement part which you may need must be recommended by us.
- The fiberglass cord used for the oints may degrade over time. If this happens, you will have to replace it with a new fiberglass tape.

GUARANTEE

This is a high quality fireplace, manufactured with great care. Even so, if any defect is found please first contact your distributor. If they are unable to solve the problem they will contact us and send us the device if necessary. Our company will replace any faulty parts free of charge up to five years from the date of purchase. We will not charge for repair work, however any transport costs have to be paid by the client.

Since this apparatus has been tested by a homologated laboratory the following parts are NOT covered by warranty:

- Glass
- Vermiculite
- Internal grate
- Door handle, air-inlet knobs, etc.

In the interior of the packaging, you will find a quality control slip. We request that you send this to your distributor in case of any claim.

MEASUREMENTS AND CHARACTERISTICS

- Height.....	510 mm	- Nominal heat output	5.9 kW
- Width.....	590 mm	- Energy efficiency.....	77 %
- Depth.....	400 mm	- CO emission.....	0.10 %
- Weight.....	81 Kg	- Minimum flue draught for nominal heat output.....	12 Pa
- Firewood entrance.....	460 x 280 mm	- Flue gas mass flow	6.2 g/s
- Smoke outlet.....	150 mm	- Flue gas temperature.....	261 °C
- Iron sheet body of 4+3 mm		- Heating volume (aprox.).....	180 m ³
- Cast iron grill		- Distance to adjacent combustible materials	50 cm
- Paint, resistant up to 800 °C			
- Vitro-ceramic glass, 750 °C			
- Firewood up to 50 cm long			



EN 13229: 2001 & A2: 2004

PANADERO

P.I. CAMPOLLANO
AVENIDA 5º, 13-15
02007 ALBACETE -SPAIN

H IZQ / H DER 21
FREESTANDING ROOMHEATER FIRED BY SOLID FUEL
CERTIFICATE N° TD 4799;TD 4799P
DECLARATION OF PERFORMANCE.... 19082 / 19083
NOTIFIED BODY.....1677

Thermal output.....5.9 kW
Energy efficiency..... 77 %
Emission of CO in combustion products..... 0.10 %
Flue gas temperature..... 261 °C
Distance to adjacent combustible materials 50 cm
Dust concentration at 13% O₂..... 30 mg/Nm³
Fuel types..... Firewood and briquetted wood

INSTRUCTIONS D'UTILISATION ET D'ENTRETIEN

Vous venez d'acquérir un produit de la marque PANADERO, nos foyers non seulement requièrent un entretien adéquat mais également une installation conforme à la législation en vigueur. Nos produits sont conformes à la norme européenne EN 13229 mais il est très important que le consommateur sache utiliser correctement son foyer selon les conseils que nous vous indiquons. **Pour cette raison, avant d'installer notre produit vous devrez lire rigoureusement ce manuel et suivre nos instructions d'utilisation et d'entretien.**

Il y a deux formes de transmission de la chaleur avec le foyer: d'une part, à travers la grande superficie de la vitre vitrocéramique nous pouvons profiter de la chaleur de radiation, et d'autre part, il y a la chaleur générée par les côtés du foyer que nous pouvons récupérer grâce à une installation optimale, en laissant un espace autour du foyer et en créant ainsi des courants d'air, profitant ainsi de la chaleur de convection.

INSTALLATION

- Vous avez acheté un poêle à bois dont la chambre à combustion est revêtue de vermiculite.

Ne pas enlever ces pièces en vermiculite.

- Attention: l'installation de ce foyer doit être effectuée par un professionnel qualifié.

Toutes les réglementations locales, y compris celles faisant référence aux normes nationales ou européennes, doivent être respectées lors de l'installation du foyer.

ALLUMAGE

Le poêle que vous venez d'acquérir bénéficie des plus hautes prestations, un haut rendement et des émissions de CO et particules très basses. Pour obtenir ces performances, l'air arrive à la chambre de combustion préchauffé et par la partie supérieure de celle-ci. Pour favoriser l'allumage suivez les conseils suivants :

- Utilisez toujours, si possible, du petit bois et brindilles de pin sec en formant un petit monticule. Sous ce monticule placer 1 ou 2 pastilles "allume-feu" et sur celui-ci placer le bois sec avec, de préférence, des bûches fendues. Une fois les "allume-feu" allumés, fermez la porte et ouvrez le tirage au maximum. Une fois que le feu a pris la bonne intensité vous pouvez le régler à l'aide du tirage d'air inférieur.

Conduit de Fumée

- Le foyer ne doit pas être installé dans un système de cheminée partagé avec d'autres appareils.
- Installer plusieurs tuyaux bien connectés, scellés avec de la pâte réfractaire afin d'éviter que de la suie ne coule, jusqu'à l'extérieur et connecter le premier tuyau à la sortie de fumée du foyer avec un emboîtement de minimum 40mm.
- L'installation doit être la plus verticale possible, en évitant l'utilisation de coudes ou déviations qui pourraient causer un mauvais fonctionnement du foyer.
- Si l'installation se raccorde à un conduit de cheminée de maçonnerie, les mesures intérieures de celui-ci ne doivent pas être trop grandes car cela refroidirait trop la fumée et il pourrait y avoir des refoulements. Dans le cas où ce conduit serait trop large, il est conseillé que les tuyaux arrivent jusqu'à la sortie extérieure.
- Dans le cas où l'installation soit seulement munie de tubes, il faudra au moins 3 mètres linéaires.
- Il est vivement recommandé d'installer un chapeau sur le dernier tuyau.

Installation

- L'appareil doit être installé sur un sol ayant une capacité de portée adéquate et tout ce qui l'entoure doit être composé de matériel non inflammable et/ou bien isolé.
- Il est important de prévoir le facile accès pour le nettoyage de l'appareil, du conduit de fumée et de la cheminée.
- Pendant le fonctionnement, éloignez du foyer, toute matière pouvant être altérée par la chaleur: meubles, rideaux, papiers, vêtements, etc. La distance de sécurité minimum à respecter est de 60 cm.
- Le foyer doit être installé dans une pièce aérée et bien ventilée. Il est conseillé d'avoir au moins une fenêtre qui puisse s'ouvrir, dans la même pièce où sera installée le foyer.

MONTAGE

- La partie inférieure du foyer doit avoir une entrée directe d'air, d'au moins 450 cm² .
- Il est recommandé d'installer une grille de ventilation dans la zone située entre le toit et la partie supérieure du foyer, isolant ainsi toutes les zones proches (pour améliorer l'étanchéité), afin de profiter de la chaleur de convection. Pour cela, laissez un espace d'au moins 50 mm autour de l'appareil pour créer la chambre de convection.
- Avant d'installer le foyer il est conseillé d'enlever toutes les pièces détachées de son intérieur afin d'éviter qu'elles ne se cassent, et ensuite de les remettre en place une fois le foyer installé.
- Une fois en place, faire un premier essai de fonctionnement et commencer alors l'encastrement de celui-ci. Il est recommandé de le faire du bas vers le haut.

COMBUSTIBLE

- Utilisez comme combustible du bois sec, en veillant à ce qu'il ne dépasse pas 20% le degré d'humidité. Sachez, qu'un bois ayant 50% ou 60% d'humidité ne chauffe pas, il a une très mauvaise combustion, il crée beaucoup de goudron, il dégage une vapeur d'eau excessive et il produit des sédiments excessifs dans l'appareil, la vitre et les conduits de fumée. Vous pouvez également utiliser des briquettes de bois pressé.
- Allumez le feu avec des pastilles prévues à cet effet, ou avec l'aide de papier et brindilles. N'utilisez jamais d'alcool à brûler ou de produits similaires.
- Ne brûlez pas de déchets ménagers, matières plastiques ou de produits gras qui polluent l'environnement et provoquent des risques de feu de cheminée par encrassement du conduit.

FONCTIONNEMENT

- **Lors des premiers allumages, il est normal que de la fumée se dégage. Cela est dû à ce que certains composants de la peinture anti-calorique brûlent en même temps que s'adhère le pigment à l'appareil. Nous conseillons d'aérer abondamment la pièce jusqu'à ce que cela disparaisse.**
- Le foyer n'est pas prévu pour fonctionner avec la porte ouverte.
- Cet appareil est prévu pour fonctionner de manière discontinue avec des temps de recharge de combustible.
- Pour l'allumage du foyer il est recommandé d'utiliser du papier, des pastilles d'allumage et des brindilles. Une fois que le feu commence à fonctionner, ajoutez pour la première charge deux morceaux de bois de 1 à 1'3 Kg. Pendant cette phase d'allumage, les tirages d'air doivent être complètement ouverts.
- Pour atteindre la puissance nominale de l'appareil vous devez utiliser une quantité approximative de 1.7 Kg. de bois (2 bûches d'environ 1 Kg.) en intervalles d'une heure. Vous ne devez pas recharger de combustible votre appareil avant que la charge antérieure ne se soit consommée et qu'il ne reste seulement le lit de braises nécessaire à la reprise de la combustion.
- Il est normal que le joint en fibre de verre se désintègre. Bien que le foyer puisse fonctionner sans le joint, nous vous recommandons de le changer chaque saison.
- Le tiroir sert à retirer les cendres. Videz le régulièrement sans attendre qu'il se remplisse trop afin d'éviter que se détériore la grille.
- Sachez que jusqu'à 24 heures après, les cendres peuvent être encore chaudes.
- N'ouvrez pas la porte du foyer brusquement afin d'éviter que la fumée ne sorte. N'ouvrez jamais la porte sans avoir ouvert avant le registre. Ouvrez la porte seulement quand vous devez charger le foyer avec le combustible adéquat.

- La vitre, les pièces ajoutées et l'appareil en general peuvent atteindre des températures tres élevées, attention aux risques de brûlures lors de l'utilisation. Pour manipuler ces pièces, utilisez le gant fourni avec le foyer.
- Tenez éloignés les jeunes enfants pour éviter des brûlures lors de l'utilisation.
- Si le démarrage du foyer cause certains problèmes (Inter-saison, cheminée froide...). Vous pouvez allumer un feu d'appel avec du papier froissé ce qui aidera à mettre en marche le foyer.
- Dans le cas de surchauffe, fermez le tirage d'air pour réduire l'intensité du feu.
- Dans le cas de mauvais fonctionnement, fermez le tirage d'air et consultez le fabricant.

ENTRETIEN

- Un nettoyage quotidien de la vitre permet d'éviter le dépôt de suie sur le verre. Utilisez pour cela un nettoyeur spécial vendu dans le commerce. N'utilisez jamais d'eau. Ne tentez jamais de nettoyer votre appareil en fonctionnement.
- Il est aussi très important de nettoyer régulièrement les conduits de fumée de l'appareil et vous devrez vous assurer l'absence de blocage avant de remettre en marche l'appareil après une période prolongée de non allumage.
- Chaque début de saison, il est important qu'un professionnel réalise l'entretien de votre installation.
- Dans le cas d'un incendie de cheminée, si vous le pouvez, fermez les tirages d'air et contactez immédiatement les autorités.
- Toute pièce de rechange doit être recommandée par le fabricant.
- La fibre de verre qui est utilisée pour les oints peut se dégrader avec le temps. Dans le cas ou cela se produirait, il faudrait alors procéder à son remplacement.

GARANTIE

Ce foyer est un produit de qualité qui a été fabriqué avec le plus grand soin. Si malgré tout, vous constatez une anomalie, commencez par demander conseil au revendeur. Si ce dernier n'est pas en mesure de vous solutionner le problème, il nous contactera et, si la situation l'exige nous enverra l'appareil. Le délai de garantie étant de cinq ans à compter de la date d'achat, nous nous engageons à remplacer gratuitement les pièces défectueuses pendant ce délai. Néanmoins les frais de transport sont à la charge du client.

Étant donné que ce dispositif a été testé par un laboratoire agréé, ne sont pas couverts par la garantie les pièces suivantes:

- Vitre
- La grille en fonte
- Vermiculite
- Poignées (de la porte et tirage)

A l'intérieur de l'emballage se trouve une fiche de contrle de qualité, nous vous prions de la remettre au revendeur en cas de réclamation.

MESURES ET CARACTERISTIQUES

- Hauteur.....	510 mm	- Puissance nominale.....	5.9 kW
- Largeur.....	590 mm	- Rendement.....	77 %
- Profondeur.....	400 mm	- Emission de CO.....	0.10 %
- Poids.....	81 Kg	- Tirage minimum de la cheminée pour puissance nominale.....	12 Pa
- Porte entrée bois.....	460 x 280 mm	- Débit massique des fumées.....	6.2 g/s
- Sortie fumée.....	150 mm	- Température des fumées.....	261 °C
- Corps en acier de 4+ 3 mm.		- Volume de chauffe (aprox.).....	180 m ³
- Grille en fonte		- Distance par rapport aux matériaux combustibles adjacents.....	50 cm
- Peinture résistante à 800 °C			
- Vitre vitrocéramique 750 °C			
- Bûches jusqu'à 50 cm			

	PANADERO P.I. CAMPOLLANO AVENIDA 5º, 13-15 02007 ALBACETE -SPAIN
EN 13229: 2001 & A2: 2004	
H IZQ / H DER 21 POÊLE INDEPENDANT A COMBUSTIBLE SOLIDE CERTIFICATE N° TD 4799;TD 4799P DECLARATION DES PERFORMANCES.....19082 ./ 19083 L ORGANISME NOTIFIE..... 1677	
Puissance calorifique.....	5.9 kW
Rendement énergétique.....	77 %
Emission de CO par les produits de combustion.....	0.10 %
Températures des produits de combustion...	261 °C
Distance par rapport aux matériaux combustibles.....	50 cm
Dust concentration at 13% O2.....	30 mg/Nm ³
Type de combustible.....	Bois et briquettes

INSTRUCCIONES DE UTILIZACIÓN Y DE MANTENIMIENTO

Acaba de adquirir un producto de la marca PANADERO, además de un mantenimiento correcto, nuestras estufas requieren una instalación conforme a la legislación en vigor. Nuestros productos son conformes a la norma europea EN 13229 pero es muy importante para el consumidor que sepa utilizar correctamente su hogar según las recomendaciones que indicamos. **Por esta razón antes de instalar nuestro producto deberá leer rigurosamente este manual y seguir nuestras instrucciones de utilización y de mantenimiento.**

En el hogar, la forma de transmitir el calor es doble, por un lado a través de la gran superficie de cristal vitrocerámico se aprovecha el calor de radiación y por otro lado está el calor generado en las paredes del hogar que podremos recuperar haciendo una instalación óptima, dejando espacio alrededor del hogar y creando corrientes de aire que lo rodeen, aprovechando así el calor de convección.

INSTALACIÓN

- Usted ha comprado una estufa de leña concebida con la cámara de combustión revestida de vermiculita.

ATENCIÓN: La instalación de este hogar debe ser efectuada por un profesional cualificado.

Todas las reglamentaciones locales, incluidas las que hacen referencia a normas nacionales o europeas, han de cumplirse cuando se instala el hogar.

ENCENDIDO

La estufa que usted acaba de comprar le ofrece las mejores prestaciones, un alto rendimiento y emisiones de CO y partículas muy bajas. Para obtener estas prestaciones, el aire llega precalentado a la cámara de combustión por la parte superior de la estufa. Para favorecer el encendido siga los siguientes consejos:

- Utilice siempre, en la medida de lo posible, pequeños trozos de pino seco formando un pequeño montículo. Bajo este montículo poner 1 o 2 pastillas de encendido y, sobre este, los troncos de leña seca preferentemente partidos longitudinalmente por la mitad. Una vez se enciendan las pastillas, cierre la puerta y habrá el tiro de aire al máximo.

Cuando el fuego haya cogido una intensidad correcta, puede usted regularlo con el tiro de aire inferior.

Conducto de Humos:

- El hogar no debe instalarse en un sistema de chimenea compartido con otros aparatos.
- Poner un conjunto de tubos bien conectados, sellados con masilla refractaria para evitar que caiga el hollín hasta el exterior, y conectar el primer tubo a la salida de humos del hogar con un mínimo de 40mm de encaje.
- La instalación del conducto de humos debe ser lo más vertical posible, evitando la utilización de codos y desviaciones que podrían causar el mal funcionamiento del hogar.
- En caso de que la instalación se conecte con un conducto de chimenea de albañilería, las medidas interiores de éste no deben ser muy grandes porque se enfriarían mucho los humos y habría revoques. En caso de ser excesiva esta superficie, se recomienda que los tubos lleguen hasta la salida exterior.
- Una instalación que se realice sólo con tubos, deberá tener 3 metros lineales como mínimo.
- Es muy recomendable poner un sombrerete sobre el último tubo.

Colocación:

- Se debe colocar en un sitio que soporte el gran peso del hogar y todo lo que le rodea debe ser material no combustible y/o estar bien aislado.
- Es necesario tener previsto la accesibilidad para la limpieza del hogar, del conducto de humos y de la chimenea.
- Mientras el hogar esté funcionando, aleje de él cualquier cosa que pueda ser alterada por el calor: muebles, cortinas, papel, ropa, ... Se debería guardar una distancia de seguridad mínima de 60cm.
- Este hogar debe ser instalado en un local bien ventilado. Recomendamos que haya por lo menos una ventana que se pueda abrir en la habitación donde estará instalado el hogar.

MONTAJE

- **La parte inferior del hogar tiene que tener una entrada directa de aire, bien del interior o del exterior, de un tamaño no inferior a 450 cm²**
- Es recomendable la instalación de una rejilla de ventilación en la zona situada entre el techo y la parte superior del hogar, aislando todas las zonas próximas (para mejorar la estanqueidad), con el fin de aprovechar el calor de convección. Para ello dejar un espacio mínimo de 50 mm alrededor del aparato para crear la cámara de convección.
- Antes de instalar el hogar se recomienda sacar todas las piezas móviles del interior para evitar su rotura, y una vez colocado en su lugar definitivo volver a montar el interior de este.
- Una vez colocado, realizar un ensayo de funcionamiento previo y ya comenzar el empotramiento de éste, recomendable desde abajo hacia arriba.
- La albañilería no debe apoyarse encima del hogar, se debe dejar un mínimo de 5mm para evitar que las dilataciones del metal creen fisuras en la pared superior.

COMBUSTIBLE

- Utilice como combustible leña seca, procurando que no exceda de un 20% el grado de humedad. Tenga en cuenta que una leña con un 50% ó un 60% de humedad no calienta, tiene una combustión muy mala, crea mucho alquitrán, desprende un vapor de agua excesivo y produce sedimentos excesivos en el aparato, cristal y conducto de humos. También puede utilizar briquetas de leña prensada.
- Encienda el fuego con pastillas existentes para tal fin o con la ayuda de papel y leña menuda. No utilice nunca para el encendido alcohol o productos similares.
- No queme basuras domésticas, materias plásticas o productos grasos que contaminen el medioambiente y puedan provocar riesgos de incendios por obstrucción del conducto.

FUNCIONAMIENTO

- **Durante los primeros encendidos es normal que se produzca humo. Esto se debe a que se queman ciertos componentes de la pintura anticorrosiva al mismo tiempo que se adhiere el pigmento al hogar. Por ello se recomienda ventilar abundantemente la habitación hasta que esto desaparezca.**
- El hogar no está hecha para funcionar con la puerta abierta.
- El aparato está pensado para trabajar de forma intermitente con intervalos de recarga de combustible.
- Para el proceso de encendido de la estufa se recomienda utilizar papel, pastillas de encendido y pequeños palitos de leña. Una vez que el fuego comience a funcionar, agregar en la primera carga dos palos de 1 a 1'3 Kg. de peso. En este proceso de encendido los tiros de aire del hogar han de estar totalmente abiertos.
- Para conseguir la potencia nominal de este hogar, ha de colocar una cantidad de leña aproximada de 1.7 Kg. de peso (dos troncos de 1 Kg, aproximadamente.) en intervalos de 1 hora. No se debe recargar el aparato hasta que no se haya consumido la carga anterior y sólo quede la reserva de brasas.
- Es normal que con el uso la junta de fibra de vidrio del cristal se deshaga. Aunque el hogar pueda funcionar sin esta junta, se recomienda que cada temporada se reponga.
- El cajón inferior sirve para retirar las cenizas. Vaciarlo a menudo sin esperar que se llene demasiado para evitar que se estropee la parrilla, tenga cuidado con la ceniza ya que hasta 24 horas después puede seguir estando caliente.

- No abra la puerta del hogar de forma brusca con el fin de evitar la salida de humos. Nunca la manipule sin previamente abrir los tiros. Esta operación solo debe llevarse a cabo con el fin de recargar combustible.
- El cristal, los herrajes y el aparato en general pueden alcanzar temperaturas muy elevadas, cuidado con los riesgos de quemaduras. Para manipular dichas piezas, utilice el guante adjunto con la estufa.
- Mantener alejados a los niños para evitar quemaduras durante la utilización.
- Si el arranque plantea problemas (temporada intermedia, chimenea fría, etc.) se puede encender un fuego inicial con papel arrugado, lo que facilita la puesta en marcha del hogar.
- En el caso de sobrecalentamiento, cierre los tiros de aire para reducir la intensidad del fuego.
- En el caso de mal funcionamiento, cierre los tiros de aire y consulte al fabricante.

MANTENIMIENTO

- Conviene limpiar periódicamente el cristal para evitar que los restos de hollín lo ennegrezcan. En el comercio existen limpiadores especiales para ello. No utilice nunca agua. No intente nunca limpiar su hogar en funcionamiento.
- También es importante limpiar periódicamente los conectores de humos del aparato y deberá comprobar la ausencia de bloqueo antes de volver a encender el aparato después de un periodo prolongado de parada.
- Cada principio de temporada es importante que un profesional realice un mantenimiento de su instalación.
- En caso de incendio en la chimenea cierre los tiros de aire y contacte inmediatamente con las autoridades.
- Cualquier pieza de repuesto que necesite tiene que ser recomendada por nosotros.
- La fibra de vidrio que se utiliza en las juntas puede sufrir degradación con el tiempo. Si éste fuera su caso, en el momento que se produzca, deberá reemplazarlo por una nueva fibra de vidrio.

GARANTÍA

Este hogar es un producto de alta calidad, fabricada con gran esmero. Si, a pesar de ello, se produjera algún desperfecto, consulte primero con su distribuidor. Si él no puede solucionar el problema, se pondrá en contacto con nosotros y, si es necesario nos enviará el hogar. Nuestra empresa sustituye gratuitamente cualquier pieza defectuosa durante cinco años a partir de la fecha de compra. Los gastos de transporte, sin embargo, correrán por cuenta del cliente.

Puesto que este aparato ha sido testado por un laboratorio homologado NO están cubiertas por la garantía las siguientes piezas:

- Cristal
- Parrilla de fundición
- Vermiculita
- Herrajes

En el interior del embalaje, encontrará una ficha de control de calidad, rogamos la remiten al distribuidor en caso de reclamación.

MEDIDAS Y CARACTERISTICAS

- Alto	510 mm	- Potencia calorífica nominal	5.9 kW
- Ancho	590 mm	- Rendimiento	77 %
- Fondo	400 mm	- Emisión de CO	0.10 %
- Peso	81 Kg	- Tiro en la chimenea para potencia nominal	12 Pa
- Puerta entrada leña	460 x 280 mm	- Caudal masico de los humos	6.2 g/s
- Salida humos	150 mm	- Temperatura de los humos	261 °C
- Cuerpo en acero de 3 mm.		- Volumen de calefacción (aprox.)	180 m ³
- Parrilla de hierro fundido		- Distancia mínima a materiales combustibles	50 cm
- Pintura anticalórica resistente a 800 °C			
- Vidrio vitrocerámico 750 °C			
- Troncos hasta 50 cm			

 EN 13229: 2001 & A2: 2004	PANADERO P.I. CAMPOLLANO AVENIDA 5ª, 13-15 02007 ALBACETE -SPAIN
H IZQ / H DER 21 ESTUFA INDEPENDIENTE PARA COMBUSTIBLE SOLIDO CERTIFICATE N° TD 4799;TD 4799P DECLARACION DE PRESTACIONES.....19082 / 19083 ORGANISMO NOTIFICADOR.....1677	
Potencia nominal.....	5.9 kW
Rendimiento.....	77 %
Emisión de CO en los productos de combustión	0.10 %
Temperatura de los humos	261 °C
Distancia mínima a materiales combustibles	50 cm
Concentración de partículas 13% O ₂	30 mg/Nm ³
Tipos de combustible..... Leña y briquetas	

ONDERHOUDS- EN GEBRUIKSAANWIJZING

U hebt een product gekocht van het merk PANADERO. Naast het juiste onderhoud, vergen onze kachels een installatie conform de geldige wetgeving. Onze producten voldoen aan de Europese norm EN 13229, maar het is erg belangrijk dat de consument de kachel volgens de hierna genoemde aanbevelingen op juiste wijze weet te gebruiken. **Om die reden dient u deze handleiding vóór het installeren van ons product zorgvuldig te lezen en onze onderhouds- en gebruiksaanwijzingen in acht te nemen.**

De haard brengt op twee manieren warmte voort, aan de ene kant warmte door radiatie via het grote oppervlak van het vitrokeramische glas en aan de andere kant warmte door convectie. Van deze convectiewarmte kan geprofiteerd worden door een optimale installatie van de haard waarbij er een ruimte om de haard wordt vrijgelaten zodat er een warme luchtstroom om de haard wordt gecreeerd welke uw ruimte verwarmd.

AANZETTEN

De kachel die u zojuist heeft gekocht, biedt u de beste prestaties, hoge prestaties en zeer lage CO en deeltjesemissies. Om deze voordelen te verkrijgen, komt de lucht voorverhit naar de verbrandingskamer bovenop de kachel. Om de ontsteking te vergemakkelijken, volg de volgende tips:

- Gebruik altijd zo veel mogelijk kleine stukjes droge dennen om een kleine heuvel te vormen. Onder deze heuvel zet 1 of 2 ontstekingsblokken en hierbij drogen de droge houten logs bij voorkeur half in de lengte. Zodra de pads zijn ingeschakeld, sluit de deur en er zal de maximale luchtschot zijn.

Als het vuur de juiste intensiteit heeft opgehaald, kunt u het regelen met de onderste luchtschot.

INSTALLATIE

- U heeft een houtkachel gekocht met een brandkamer voorzien van vermiculiet. Verwijder in geen geval deze stukken in vermiculiet uit de kachel.

Opgelet: De installatie van het toestel dient door een gekwalificeerde vakman te gebeuren.

Alle lokale regelgevingen, inclusief degene welke AAN nationale en Europese normen refereren, dienen in acht te worden genomen bij de installatie van het toestel.

POSITIE VAN HET ROOKKANAAL

- Het apparaat is niet geschikt om op een schoorsteensysteem dat met andere apparaten wordt gedeeld aan te sluiten
- Sluit de pijpen goed op elkaar aan tot aan de buitenkant. De pijpen dienen afgedicht te worden met vuurvaste kit om het vallen van roet te voorkomen. Sluit de eerste pijp met minimaal 40 mm overlapping aan op de pijpmond.
- De installatie dient zo verticaal mogelijk te zijn. Vermijd het gebruik van kniestukken en omleidingen.
- Wordt de installatie op een gemetselde schoorsteenpijp aangesloten, dan dient de afmeting van deze pijp niet zeer groot te zijn omdat anders de rook te veel afkoelt en omlaag zakt.
- Wordt de installatie alleen met pijpen uitgevoerd, dan dient deze constructie minimaal 3 strekkende meter lang te zijn.
- Het wordt aangeraden om een hoedje te plaatsen op de laatste pijp.

HET PLAATSEN VAN DE HAARD

- De haard moet op een plek geplaatst worden welke het grote gewicht van de haard kan dragen. Alles wat de haard omringt dient van niet brandbaar materiaal te zijn en/of ermee te worden geïsoleerd.
- De haard moet toegankelijk zijn voor de reiniging van het toestel zelf, van het rookkanaal en van de schoorsteen.
- Terwijl de haard brandt, dient al het hittegevoelig materiaal ervan en uit de omgeving te worden verwijderd: meubels, gordijnen, papier, kleding, etc. De minimale veiligheidsafstand tussen de haard en brandbare materialen is 60cm.
- Het toestel dient in een goed geventileerd vertrek te worden geïnstalleerd. Wij raden aan dat er op zijn minst 1 raam aanwezig is dat geopend kan worden.

MONTAGE

- Het onderste gedeelte van de haard moet een directe luchttoegang hebben, van binnen- of buitenlucht, met een niet kleiner dan 450 cm²
- Het is wenselijk om een ventilatierooster te installeren tussen het plafond en het bovenste gedeelte van de haard, de omringende ruimte om de haard te isoleren om de dichtheid te bevorderen, om zodoende gebruik te kunnen maken van de convectiewarmte. Daarvoor moet men een ruimte van minimaal 50 mm om de haard heen vrij te houden om zo de convectieruimte te creëren.
- Voordat u de haard instaleert wordt aangeraden om alle losse delen uit het interieur van de haard te halen om schade aan deze delen te voorkomen. Zodra de haard geïnstalleerd is kunt u deze onderdelen op hun definitieve plek monteren.
- Als de haard geplaatst is wordt aangeraden om eerst een proef te doen waarna de haard definitief geïnstalleerd kan worden, bij voorkeur van beneden naar boven.
- Het stukwerk mag niet vast tegen de haard worden aangebracht. Er moet minimaal een kier van 5 mm gelaten worden zodat scheurtjes in de muur door uitzetting van het metaal worden voorkomen.

BRANDSTOF

- Gebruik droog brandhout als brandstof en zorg ervoor dat de vochtigheidsgraad ervan niet hoger dan 20% is. Houd er rekening mee dat een stuk brandhout met een vochtigheidsgraad van 50% of 60% niet verwarmt, zeer slecht brandt, veel teer voortbrengt, overdreven veel waterdamp uitstoot en overmatige afzettingen op het apparaat, het glas en het rookkanaal veroorzaakt. Ook kunnen geperste houtbriketten worden gebruikt.
- Steek het vuur aan met aanmaakblokjes of met behulp van papier of dunne takjes. Gebruik voor het aansteken van het vuur nooit alcohol of soortgelijke producten.
- Verbrand geen huisvuil, plastic materiaal of vette producten die het milieu vervuilen en brandgevaar kunnen veroorzaken door verstopping van het rookkanaal.

WERKING

- **De eerste keren dat u het toestel gebruikt is het normaal dat er rook ontstaat. Dit komt doordat er bepaalde componenten van de hittevaste verf verbranden en tegelijkertijd blijft het pigment aan de kachel plakken. Daarom wordt aanbevolen om de kamer ruimschoots te ventileren totdat de rook verdwijnt.**
- Het toestel dient niet met open deur te werken.
- Het apparaat is ervoor bestemd om niet de hele tijd, met tussentijds bijvullen van brandstof, te functioneren.
- Voor het aansteken van het toestel wordt aanbevolen om papier, aanmaakblokjes en dunne takjes of stukjes brandhout te gebruiken. Zodra het vuur begint te branden, dienen twee houtblokken van 1 à 1'3 Kg. te worden toegevoegd. Bij het aanmaken moeten de trekkleppen van het toestel geheel geopend zijn.
- Om het nominale vermogen van dit toestel te bereiken, dient om het uur ongeveer 1.7 Kg. brandhout (twee stukken van iets meer dan een kilo) in het apparaat te worden gelegd. De houtblokken dient u iets van elkaar gescheiden, horizontaal neer te leggen, zodat ze goed kunnen branden. Het apparaat dient niet bijgevuld te worden, totdat de vorige lading opgestookt en alleen nog gloeiend houtskool over is.
- Het is normaal dat de glasvezelpakking van het glas na verloop van tijd losraakt. Hoewel het toestel zonder deze pakking ook kan functioneren, wordt aanbevolen om haar elk seizoen te vervangen.

- De onderste la is bedoeld voor het verwijderen van de as. Leeg de asla vaak en wacht niet totdat hij te vol zit om te voorkomen dat het rooster kapot gaat. Wees voorzichtig met de as. Deze kan na 24 uur nog steeds warm zijn.
- Om ervoor te waken dat er geen rook vrijkomt, is het beter om de deur van het apparaat niet bruusk open te maken. Open de deur van het toestel nooit zonder eerst de trekklep te hebben geopend. Open de deur alleen om het toestel met de geschikte brandstof bij te vullen.
- Het glas, de messing onderdelen en het apparaat in het algemeen kunnen zeer hoge temperaturen aannemen. Wees voorzichtig. Verbrandingsgevaar! Gebruik de bij het toestel meegeleverde want om die onderdelen te hanteren.
- Houd kinderen van het toestel verwijderd om te voorkomen dat ze zich tijdens het gebruik kunnen verbranden.
- Als bij het opstarten problemen ontstaan (tussenseizoen, koude schoorsteen, etc.), dan kan vuur worden aangestoken met gekreukeld papier. Hiermee wordt de inbedrijfstelling van het toestel vereenvoudigd.
- Sluit bij oververhitting de trekkleppen om de intensiteit van het vuur te reduceren.
- Sluit bij een slechte werking de trekkleppen en raadpleeg de fabrikant.

ONDERHOUD

- Het is gewenst om het glas regelmatig schoon te maken om te voorkomen dat het zwart wordt van de roetaanzetting. Er zijn speciale reinigingsmiddelen hiervoor in de handel. Gebruik nooit water. Probeer nooit een werkende kachel schoon te maken.
- Ook is het belangrijk om de rookkanalen van het apparaat regelmatig schoon te maken en te controleren of deze niet verstopt zijn, alvorens het apparaat, nadat deze een lange periode niet is gebruikt, opnieuw aan te maken. Aan het begin van elk seizoen is het belangrijk dat een vakman de installatie een onderhoudsbeurt geeft.
- Bij schoorsteenbrand, indien mogelijk, de trekkleppen dichtdoen en onmiddellijk contact opnemen met de autoriteiten.
- Elk reserveonderdeel dat u nodig heeft dient door ons te zijn aanbevolen.
- Het koord voor het glas is onderhevig aan slijtage. Indien dit het geval is, dient u dit te vervangen voor een nieuw koord.

GARANTIE

Dit toestel is een met zorg vervaardigd product van topkwaliteit. Als er desondanks schade ontstaat, neem dan eerst contact op met uw leverancier. Als hij het probleem niet kan oplossen, zal hij contact met ons opnemen en ons zo nodig het toestel toezenden. Ons bedrijf vervangt de eerste vijf jaar na de aankoopdatum elk defect onderdeel gratis. De verzendkosten zijn echter voor rekening van de klant.

Aangezien dit apparaat is getest door een gecertificeerd laboratorium worden de volgende onderdelen niet gedekt door de garantie:

- Glas
- Gietijzeren rooster
- Vermiculiet
- Handvat, Knoppen, etc

In de verpakking vindt u een kwaliteitscontroleblad. Wij verzoeken u dit in geval van een klacht naar de leverancier te sturen.

AFMETINGEN EN EIGENSCHAPPEN

<ul style="list-style-type: none"> - Hoogte..... 510 mm - Breedte..... 590 mm - Diepte..... 400 mm - Gewicht..... 81 Kg - Deurtje houtinvoer..... 460 x 280 mm - Rookafvoer..... 150 mm - Romp in 4 + 3 mm dik staal - Gietijzeren rooster - Hittevastе verf, bestand tegen 800 °C - Keramisch glas 750 °C - Houtblokken tot 50 cm 	<ul style="list-style-type: none"> - Nominaal calorisch vermogen5.9 kW - Rendement..... 77 % - CO-emissie 0.10 % - Minimale choorsteentrek voor nominaal vermogen..... 12 Pa - Rookgasdebiet..... 6.2 g/s - Rookgastemperatuur 261 °C - Verwarmingsvolume (ca.)180 m³ - Minimale afstand brandbare materialen 50 cm
---	---

	<p style="font-weight: bold; font-size: 1.2em;">PANADERO</p> <p>P.I. CAMPOLLANO AVENIDA 5º, 13-15 02007 ALBACETE - SPAIN</p>
<p>EN 13229: 2001 & A2: 2004</p>	
<p>H IZQ / H DER.....21</p> <p>ONAFHANKELIJKE KACHEL VOOR VASTE BRANDSTOF</p> <p>CERTIFICATE N° TD 4799;TD 4799P</p> <p>PRESTATIEVERKLARING.....19082 / 19083</p> <p>AANGEMELDE INSTANTIE.....1677</p>	
<p>Nominaal vermogen..... 5.9 kW</p> <p>Rendement..... 77 %</p> <p>CO-emissie verbrandingsproducten..... 0.10 %</p> <p>Rookgastemperatuur..... 261 °C</p> <p>Minimale afstand brandbare materialen 50 cm</p> <p>Dust concentration at 13% O₂.....30 mg/Nm³</p> <p>Brandstofsoorten Brandhout en briketten</p>	

INSTRUKCJA UŻYTKOWANIA I KONSERWACJI

Zakupili Państwo właśnie produkt firmy Panadero. Oprócz prawidłowego użytkowania, nasze piecyki kominkowe wymagają instalacji ściśle zgodnej z instrukcją. Nasze produkty spełniają europejską normę EN 13229 jednak istotne jest aby Państwo wiedzieli jak właściwie użytkować piecyk zgodnie ze wskazanymi zaleceniami. **Dlatego przed instalacją piecyka kominkowego konieczne jest dokładne przeczytanie tej instrukcji i postępowanie zgodnie z przedstawionymi w niej wytycznymi dotyczącymi użytkowania i konserwacji.**

We wkładzie kominkowym sposób przekazywania ciepła jest dwojaki: z jednej strony wykorzystuje się ciepło promienujące z ogromnej powierzchni szkła witrażowego; z drugiej zaś mamy powstałe w obudowie ciepło, które będziemy mogli odzyskać dzięki optymalnej instalacji, pozostawiając pewną przestrzeń wokół urządzenia i tworząc przewiew powietrza, gromadzącego się wokół, wykorzystując w ten sposób ciepło konwekcyjne.

INSTALACJA

- Zakupili Państwo piec kominkowy opalany drewnem wyposażony w komorę spalania wyłożoną wermikulitem.

UWAGA: Instalacja tego wkładu kominkowego powinna być wykonana przez wykwalifikowanego fachowca. Podczas instalacji urządzenia powinny być spełnione wszelkie zarządzenia lokalne, włącznie z tymi, które odnoszą się do norm państwowych czy też europejskich.

Komin:

- Wkładu nie należy instalować w systemie kominowym dzielonym z innymi urządzeniami.
- Należy założyć dobrze połączone rury, zabezpieczyć złącza kitem ognioodpornym, by sadza nie wydostawała się na zewnątrz, a następnie połączyć pierwszą rurę z kominem kominka, tak by złączenie miało minimalnie 40 mm.
- Przewód kominowy powinien być zainstalowany jak najbardziej w pionie, należy unikać użycia kolanek i skrzywiania przewodu, co mogłoby spowodować złe funkcjonowanie sprzętu.
- W przypadku gdyby instalacja została przyłączona do przewodu kominowego wewnątrz budynku, wymiary wewnątrz tego komina nie powinny być zbyt duże, ponieważ mogłoby to spowodować schłodzenie spalin i cofanie się dymu do pomieszczenia. Gdyby wspomniana powierzchnia była zbyt duża, zaleca się, by doprowadzić rury do zewnętrznego wyjścia.
- Instalacja przeprowadzona tylko przy pomocy rur, powinna mieć przynajmniej 3 metry długości.
- Zaleca się założenie okapu na ostatniej rurze.

WPROWADZENIE

Piec, który Państwo zakupili oferuje najlepsze udogodnienia, wysoką wydajność oraz bardzo niską emisję CO i resztek popielinowych. Żeby uzyskać te właściwości, rozgrzane powietrze dociera do komory spalania przez górną część pieca. Ponadto w celu uzyskania wymienionych korzyści prosimy o zastosowanie się do następujących porad:

- Używaj zawsze, w miarę możliwości, małych kawałków sosny suchej, tworząc małe wzgórce. Poniżej tego wzgórca umieść 1 lub 2 kostki rozpalaki i przede wszystkim zwróć uwagę, by polana drewna były suche, najlepiej rąbane podłużnie na pół. Podczas gdy rozpalak rozpali się, zamknij drzwi i ustaw regulator powietrza na maksimum. Kiedy ogień osiągnie właściwą intensywność, mogą Państwo regulować go za pomocą dolnego regulatora.

Ustawienie:

- Wkład należy umieścić w miejscu, które zniesie jego ogromny ciężar; wszystko, co będzie w jego pobliżu powinno być wykonane z materiałów niełatwopalnych i/albo być należycie odizolowane.
- W czasie funkcjonowanie wkładu, należy oddalić od niego rzeczy, które mogą reagować na ciepło: meble, zasłony, papier, odzież, etc. Bezpieczna odległość powinna wynosić przynajmniej 80 cm.
- Ten wkład powinien być zainstalowany w pomieszczeniu z odpowiednią wentylacją. Zalecamy, by w pomieszczeniu, gdzie zostanie zainstalowany wkład było przynajmniej jedno okno, która będzie można otworzyć.

MONTAŻ

- **Wewnętrzna część wkładu musi mieć bezpośredni wlot powietrza od wewnątrz bądź od zewnątrz, o nie mniejszej niż 450 cm²**
 - Jest wskazana instalacja kratki wentylacyjnej na obszarze usytuowanym między sufitem i górną częścią wkładu, izolując wszelkie obszary w pobliżu (by polepszyć szczelność) w celu wykorzystania ciepła konwekcyjnego. Dlatego należy zostawić przestrzeń przynajmniej 50 mm wokół wkładu, by stworzyć komorę ciepła konwekcyjnego.
 - Przed zainstalowaniem wkładu zaleca się wyjąć wszystkie oddzielne części ze środka, by uniknąć ich połamania, i zamontować je ponownie wewnątrz po ustawieniu wkładu w przeznaczonym miejscu.
 - Po instalacji wkładu należy zrobić wstępną próbę, czy działa prawidłowo, po czym rozpocząć wbudowywanie go, zalecane od dołu do góry.
 - Obmurowanie nie powinno opierać się o wkład, należy zostawić przynajmniej 5 mm, żeby szczeliny w metalu nie spowodowały pęknięć w górnej ścianie.
 - Wkład został skonstruowany do działania przy zamkniętych drzwiczkach.
- WAŻNE: Podstawową rzeczą jest zdjęcie obudowy przed wstawieniem wkładu do wnęki, w której ma być wmurowany, by instalacja była łatwiejsza; po instalacji ponownie należy założyć obudowę.**

PALIWO

- Należy używać tylko suchego drewna o stopniu wilgotności nie większym niż 20%. Drewno o większej wilgotności niż 50% czy 60% nie ogrzewa i słabo się pali, wytwarza dużo smoły, wydzieła dużo pary wodnej i powoduje nawarstwianie się osadu na piecyku, szybcie i przewodzie kominowym. Jako opału można także używać brykietu ze sprasowanego drewna.
- Należy rozpalać ogień używając specjalnych podpałek, papieru lub małych kawałków drewna. Nie wolno używać w tym celu alkoholu, ani podobnych produktów.
- W piecyku kominkowym nie wolno spalać śmieci domowych, materiałów z plastiku czy produktów zawierających tłuszcze, takich które mogłyby zanieczyścić środowisko i spowodować zagrożenie pożarowe poprzez zatkanie przewodów.

UŻYTKOWANIE

- Podczas kilku pierwszych użycie piecyka pojawia się dym, co jest normalnym zjawiskiem jakie towarzyszy wypalaniu się niektórych elementów farby żaroodpornej podczas gdy utrwala się pigment farby piecyka. Ze względu na to, należy dobrze wietrzyć pomieszczenie, w którym znajduje się piecyk, aż do momentu zaprzestania pojawiania się dymu.
- Piecyk kominkowy nie jest przeznaczony do działania przy otwartych drzwiczkach.
- Urządzenie jest skonstruowane by działać w sposób nieciągły z przerwą na doładowanie opału.
- Aby rozpać ogień zaleca się stosowanie papieru, specjalnych podpałek czy małych kawałków drewna. Gdy ogień zaczyna się palić, jako pierwsze należy dodać dwa polana drewna, z których każdy powinien ważyć około 1kg – 1,3kg. Podczas rozpalania ognia, wywietrzniki powietrza powinny być całkowicie otwarte. Można też otworzyć popielnik, jeśli jest taka potrzeba. Gdy ogień już się rozpać, należy zamknąć popielnik (jeśli był otwarty), siłę ognia reguluje się poprzez zamykanie i otwieranie wywietrzników powietrza.
- Aby otrzymać nominalną moc ciepła, należy umieścić w piecyku 2 kg drewna (około dwa polana kilogramowych) w odstępach jednogodzinnych. Polana powinny być umieszczone poziomo i oddzielone od siebie, aby umożliwić właściwe palenie się. Nie należy uzupełniać opału piecyka dopóki uprzednio załadowane polana się nie spala pozostawiając tylko żar, co jest wystarczające do rozpalenia dokładanych polan.
- Aby uzyskać powolne spalanie się drewna, należy regulować ogień poprzez wywietrzniki powietrza, które nigdy nie mogą być zapchane, aby umożliwić dopływ powietrza niezbędny do procesu spalania.
- Po pierwszym rozpaleniu ognia, elementy z mosiądzu mogą przybrać miedziany kolor.
- Z czasem uszczelka przy szybcie od drzwiczek stopi się. Pomimo tego, że piecyk może funkcjonować bez niej, zaleca się jej sezonową wymianę.
- Popielnik można wyciągać z piecyka kominkowego aby usunąć popiół. Należy regularnie opróżniać popielnik z popiołu, aby uniknąć uszkodzeń rusztu żeliwnego. Zaleca się ostrożność w opróżnianiu popielnika, jako że może być on gorący aż do 24 godzin po tym jak piecyk był używany.
- Nie wolno gwałtownie otwierać drzwiczek piecyka aby uniknąć nagłego wydostania się dymu. Nigdy nie można otwierać drzwiczek przy zamkniętych wywietrznikach powietrza. Należy otwierać drzwiczki tylko w celu dołożenia brakującego opału.

- Szybka, elementy z mosiądzu i cały piecyk mogą osiągnąć bardzo wysoką temperaturę, należy uważać na ryzyko oparzenia i nie dotykać tych elementów bez dołączonych do piecyka rękawic.
- Należy trzymać dzieci z dala od piecyka, kiedy jest użytkowany, aby uniknąć poparzeń.
- Jeśli występują problemy z rozpaleniem drewna w piecyku (np. z powodu bardzo niskich temperatur powietrza), można użyć jako rozpałki złożonego lub zmiętego papieru, co znacznie ułatwia rozniecenie ognia.
- W przypadku zbytowego rozgrzania się piecyka kominkowego, należy zamknąć wywietrzniki powietrza.
- W przypadku złego funkcjonowania piecyka kominkowego, należy zamknąć wywietrzniki powietrza i skonsultować się z producentem.

KONSERWACJA URZĄDZENIA

- Zaleca się okresowe czyszczenie szybki od drzwiczek, aby uniknąć ich zabrudzenia przez sadzę. W sprzedaży dostępne są specjalne środki czyszczące. Nie należy w tym celu używać wody, ani też czyścić szybki w trakcie użytkowania piecyka.
- Ważne jest także by okresowo czyścić otwór wylotowy przewodu piecyka i sprawdzać przed użyciem czy nie jest zablokowany, po dłuższym okresie nie użytkowania urządzenia. Wraz z rozpoczęciem każdego sezonu grzewczego, specjalista powinien przeprowadzić przegląd piecyka.
- W przypadku pożaru komina, jeśli jest to możliwe, należy zamknąć wywietrzniki powietrza i skontaktować się ze strażą pożarną.
- Wszelkie części zamienne muszą być rekomendowane przez naszą firmę.
- Włókno szklane wykorzystywane w sznurach ognioodpornych z czasem może ulec zniszczeniu. Jeżeli tak jest w Państwa przypadku, w momencie gdy będzie miało to miejsce, należy zastąpić je nowym sznurem ognioodpornym z włókna szklanego.

GWARANCJA

Zakupili Państwo wysokiej jakości piecyk kominkowy, produkowany z wielką starannością. Jeśli, mimo tego, produkt posiadałby wadę, należy skontaktować się z dystrybutorem. W przypadku, gdy nie jest możliwe rozwiązanie problemu przez niego, dystrybutor skontaktuje się z nami i, jeśli jest to konieczne, prześle nam piecyk. Nasza firma darmowo wymieni każdą wadliwą część piecyka przez pięć lat od daty zakupu. Koszty transportu jednakże pokryta klient.

W przypadku gdy powstanie jakiegokolwiek zdefomowanie wewnątrz komory spalania, jest to wynik przegrzania produktu i dlatego też NIE jest to objęte gwarancją.


Ten model był testowany przez laboratorium upoważnione do przeprowadzania badań na homologację

- szyby
- rusztu żeliwnego
- okuc
- wermikulitu

W środku kartonu znajdują Państwo kartę kontroli jakości. Prosimy o przesłanie jej do dystrybutora w przypadku składania reklamacji.

WYMIARY I CHARAKTERYSTYKA

- Wysokość	510 mm	- Nominalna moc ciepła.....	5.9 kW
- Szerokość	590 mm	- Efektywność energetyczna.....	77 %
- Głębokość.....	400 mm	- Emisja tlenku węgla	0.10 %
- Masa	81 kg	- Ciąg kominowy	12 Pa
- Drzwiczki	460 x 280 mm	- Strumień masy spalin.....	6.2 g/s
- Wylot spalin tyłem, średnica.....	150 mm	- Temperatura spalin	261 °C
- Grubosc obudow 4+3		- Średnia ogrzewana powierzchnia.....	180 m ³
- Ruszt żeliwny		- Odstęp od części palnych	50 cm
- Farba żaroodporna do 800 °C			
- Szyba szklanoceramiczna 750 °C			
- Długosc polan do 50 cm			

	PANADERO P.I. CAMPOLLANO AVENIDA 5º, 13-15 02007 ALBACETE - SPAIN
EN 13229: 2001 & A2: 2004	
H I Z Q / H D E R P I E C Y K K O M I N K O W Y 21 W O L N O S T O J A C Y O G R Z E W A C Z P O M I E S Z C Z E Ń N A P A L I W O S T A Ł E C E R T I F I C A T E N º T D 4 7 9 9 ; T D 4 7 9 9 P L E I S T U N G S E R K L A R U N G 1 9 0 8 2 / 1 9 0 8 3 N O T I F I Z I E R T E N S T E L L E 1 6 7 7	
Nominalna moc cieplna	5.9 kW
Efektywność energetyczna.....	77 %
Emisja CO w produktach spalania	0.10 %
Temperatura dymu w przewodzie.....	261 °C
Odstęp od czesci palnych	50 cm
Dust concentration at 13% O2.....	30 mg/Nm ³
Paliwo	Drewno oraz brykiet drzewny

INSTRUÇÕES DE UTILIZAÇÃO E DE MANUTENÇÃO

Acaba de adquirir um produto da marca PANADERO. Além de uma manutenção correcta, as nossas salamandras requerem uma instalação conforme com a legislação em vigor. Os nossos produtos estão conformes com a norma europeia EN 13229 mas é muito importante para o consumidor saber utilizar correctamente a sua salamandra de acordo com as recomendações que indicamos. **Por esta razão, antes de instalar o nosso produto deverá ler rigorosamente este manual e seguir as nossas instruções de utilização e de manutenção.**

Na recuperador, a forma de transmitir calor é dupla: por um lado, através da grande superfície de vidro-cerâmica, é utilizado calor de radiação, e por outro lado, existe o calor gerado nas paredes da lareira que podemos recuperar fazendo uma instalação óptima, deixando espaço à volta da lareira e criando correntes de ar que a rodeiam, tirando assim partido do calor de convecção

INSTALAÇÃO

- Comprou uma salamandra a lenha cujo caixa de combustão está revestido com vermiculite.

ATENÇÃO: Todos os regulamentos locais, incluindo os que se referem às normas nacionais ou europeias, devem ser cumpridos aquando da instalação da lareira.

CONDUTA DE FUMOS

- A recuperador não deve ser instalada num sistema de chaminé partilhado com outros aparelhos.

- Colocar um conjunto de tubos bem ligados, selados com massa refractária para evitar a queda de fuligem para o exterior, e ligar o primeiro tubo à saída de chaminé da caixa de incêndio com uma tomada mínima de 40 mm.

- A instalação da conduta deve ser o mais vertical possível, evitando o uso de cotovelos e desvios que possam causar o mau funcionamento da caixa de incêndio.

- Uma instalação que utilize apenas tubos deve ter um mínimo de 3 metros lineares.

- É altamente recomendada a colocação de uma tampa sobre o último tubo.

LOCALIZAÇÃO:

- Deve ser colocado num local que suporte o grande peso da lareira e tudo à sua volta deve ser material incombustível e/ou estar bem isolado.

- É necessário ter acessibilidade para a limpeza da lareira, da chaminé e da chaminé.

- Enquanto a lareira estiver em funcionamento, mantenha longe dela tudo o que possa ser perturbado pelo calor: móveis, cortinas, papel, roupa, ... Deve ser mantida uma distância mínima de segurança de 80cm.

Esta lareira deve ser instalada numa sala bem ventilada. Recomendamos que haja pelo menos uma janela que possa ser aberta na sala onde a lareira vai ser instalada.

ASSEMBLEIA:

- A parte inferior da lareira deve ter uma entrada directa de ar, quer de dentro quer de fora, de tamanho não inferior a 200 cm².

- É aconselhável instalar uma grelha de ventilação na área entre o tecto e a parte superior da lareira, isolando todas as áreas próximas (para melhorar a estanquicidade do ar), a fim de tirar partido do calor de convecção. Para tal, deixar um espaço mínimo de 50 mm à volta do aparelho para criar a câmara de convecção.

Antes de instalar a caixa de incêndio, recomenda-se remover todas as partes móveis do interior para evitar que se parta, e uma vez no lugar, voltar a montar o interior da caixa de incêndio.

- É preciso que esteja no lugar, realizar um ensaio prévio e depois começar a instalá-lo, o que é recomendado a partir de baixo para cima.

- A alvenaria não deve repousar em cima da caixa de fogo, deve ser deixado um mínimo de 5mm para evitar que a expansão do metal crie fissuras na parede superior.

Se a construção já existente não cumpre este requisito prévio, devem ser adoptadas as medidas adequadas (por exemplo, uma placa de distribuição de carga) para cumpri-lo.

COMBUSTÍVEL

- Utilize como combustível lenha seca, procurando que a mesma não exceda um grau de humidade de 20%. Tenha em conta que lenha com 50% ou 60% de humidade não aquece, tem uma combustão muito má, cria muito alcatrão, liberta vapor de água excessivo e produz sedimentos excessivos no aparelho, vidro e conduta de fumos. Também pode utilizar briquetes de lenha prensada.
- Acenda o lume com pastilhas existentes para esta finalidade ou com a ajuda de papel e pequenos paus de madeira. Nunca utilize para acender álcool ou produtos similares.
- Não queime resíduos domésticos, matérias plásticas ou produtos com gordura que contaminem o meio-ambiente e possam provocar risco de incêndios por obstrução da conduta.

FUNCIONAMENTO

- **Durante as primeiras vezes que acende o lume é normal que se produza fumo. Isto deve-se ao facto de se queimarem certos componentes da pintura anti-calórica, ao mesmo tempo que o pigmento adere à própria salamandra. Por isso, recomenda-se a ventilação abundante da sala até que tal desapareça.**
- A salamandra não foi feita para funcionar com a porta aberta.
- O aparelho foi pensado para trabalhar de forma intermitente, com intervalos de recarga de combustível.
- Para pôr a salamandra em funcionamento, recomenda-se a utilização de papel, pastilhas e ripas de madeira. Uma vez que o fogo comece a surgir, deve-se introduzir no primeiro carregamento dois troncos de 2 a 2.5 Kg. de peso. Neste processo, as saídas de ar da salamandra têm de estar totalmente abertas. Se for necessário, também pode ajudar, ao início, abrir a gaveta das cinzas.
- Uma vez que o lume tenha adquirido intensidade, feche totalmente a gaveta das cinzas (se foi aberta anteriormente) e regule a intensidade do lume fechando em maior ou menor medida as saídas de ar.
- Para conseguir a potência nominal desta salamandra deve colocar uma quantidade de lenha aproximada de 1.93 Kg. de peso (dois troncos de pouco mais de 1 Kg.) em intervalos de 45 min. Deve colocar os troncos em sentido horizontal, ligeiramente separados entre si, para assegurar uma correcta combustão. Não se deve recarregar o aparelho até que não se tenha consumido a carga anterior e só reste a reserva de brasas.
- Para conseguir uma combustão lenta, deve regular a intensidade do lume com as saídas de ar. Estas terão de estar sempre desbloqueadas para permitir o fornecimento de ar para a combustão.
- É normal que depois das primeiras vezes em que se acendeu a salamandra as peças de latão adquiram uma cor acobreada.
- É normal que com o uso a junta de fibra de vidro, do vidro, se desfaça. Apesar de a salamandra poder funcionar sem esta junta, recomenda-se que a mesma seja substituída periodicamente.
- A gaveta inferior serve para retirar as cinzas. Esvazie-a frequentemente, sem esperar que se

encha demasiado, para evitar que se danifique a grelha. Tenha cuidado com a cinza que até 24 horas depois pode continuar quente.

- Não abra a porta do aparelho de forma brusca com o fim de evitar a saída de fumo. Nunca abra a porta da salamandra sem previamente abrir a saída de ar. Abra a porta só com o fim de recarregar com o combustível adequado.
- O vidro, as peças de latão e o aparelho em geral podem alcançar temperaturas muito elevadas, cuidado com os riscos de queimaduras. Para manipular tais peças, utilize a luva junta com a salamandra.
- Manter afastadas as crianças para evitar queimaduras durante a utilização.
- Se o arranque apresenta problemas (temporada intermédia, chaminé fria, etc.) podese acender o lume de chamada com papel amachucado, o que facilita o início do funcionamento da salamandra.
- No caso de sobreaquecimento, feche as saídas de ar para reduzir a intensidade do lume.
- No caso de mau funcionamento, feche as saídas de ar e consulte o fabricante.

MANUTENÇÃO

- Convém limpar periodicamente o vidro para evitar que os restos de fuligem o escureçam. No comércio existem produtos de limpeza especiais para isso. Não utilize nunca água. Nunca tente limpar a sua salamandra quando estiver em funcionamento.
- Também é importante limpar periodicamente as ligações de condutas de fumo do aparelho e deverá comprovar a ausência de obstrução antes de voltar a acender o aparelho, depois de um período prolongado sem funcionar. Em cada início de temporada é importante que um profissional realize uma manutenção à sua instalação.
- Em caso de incêndio na chaminé, se puder, feche as saídas de ar e contacte imediatamente as autoridades.
- Qualquer peça sobresselente que necessite tem de ser recomendada por nós.
- A fibra de vidro usados nas articulações podem sofrer degradação ao longo do tempo. Se este for o caso, quando isso ocorrer, você deve substituí-lo com uma nova fibra de vidro

GARANTIA

Esta salamandra é um produto de alta qualidade, fabricada com grande esmero. Se, apesar disso, surgir algum defeito, consulte primeiro o seu distribuidor. Se ele não puder solucionar o problema, entre em contacto connosco e, se necessário, envie-nos a salamandra. A nossa empresa substitui gratuitamente qualquer peça defeituosa durante cinco anos a partir da data da compra. Os gastos de transporte, contudo, estão por conta do cliente.

Uma vez que este dispositivo foi testado por um laboratório certificado não são cobertos pela garantia os seguintes componentes:

- Crystal
- Grill Fundação
- Vermiculite
- Hardware

No interior da embalagem, encontrará uma ficha de controlo da qualidade. Solicitamos que a remeta ao distribuidor em caso de reclamação.

MEDIDAS E CARACTERÍSTICAS

- Altura	510 mm
- Largura	590 mm
- Profundidade.....	400 mm
- Peso	81 Kg
- Porta entrada lenha	460 x 280 mm
- Saída fumos.....	150-153 mm
- Corpo em aço de 4+3mm.	
- Grelha de ferro fundido	
- Pintura anti-calórica resistente a 800 °C	
- Vidro vitrocerâmico 750 °C	
- Troncos até 50 cm	

- Potência calórica nominal	5.9 kW
- Rendimento.....	77 %
- Emissão de CO	0.10 %
- Saída na chaminé para potência nominal	12 Pa
- Caudal em massa de fumos	6.2 g/s
- Temperatura dos fumos	261°C
- Distância mínima de materiais combustíveis	50 cm
- Volume de aquecimento (aprox.)	180 m ³

 EN 13229: 2001 & A2: 2004	H I J O D E M I G U E L PANADERO P.I. CAMPOLLANO AVDA. 5ª NORTE, 13-15 02007 ALBACETE -SPAIN
RECUPERADOR H I Z Q / H D E R 21 SALAMANDRA INDEPENDENTE PARA COMBUSTÍVEL SÓLIDO CERTIFICATE N° TD 4799;TD 4799P DECLARAÇÃO DE DESEMPENHO 19082 / 19083 ORGANISMO NOTIFICADO..... 1677	
Potência nominal.....	5.9 kW
Rendimento.....	77 %
Emissão de CO nos produtos de combustão	0.10 %
Temperatura dos fumos.....	261 °C
Distancia mínima de materiais combustíveis	50 cm
Tipos de combustível.....	Lenha e briquetes

GEBRAUCHS- UND WARTUNGSANLEITUNG

Sie haben soeben ein Produkt der Marke PANADERO gekauft. Bitte beachten Sie neben der Wartungsanleitung auch die gesetzlichen Vorschriften bei der Aufstellung unserer Öfen.

Unsere Produkte erfüllen die Anforderungen der europäischen Norm EN 13229. Unumgänglich ist jedoch eine korrekte Verwendung Ihres Ofens gemäß den nachstehenden Anweisungen. Lesen Sie daher bitte vor der Aufstellung des Ofens dieses Handbuch aufmerksam durch und befolgen Sie unsere Gebrauchs- und Wartungsanleitung.

Bei dem Kaminofeneinsatz gibt es eine zweifache Wärmeübertragung: zum einen wird durch die große Glaskeramikfenster die Strahlungswärme genutzt und zum anderen wird an den Wänden des Hauses Wärme erzeugt, die wir durch eine optimale Installation zurückgewinnen können, indem wir Raum um den Kaminofeneinsatz herum lassen und Luftströme um den Kaminofeneinsatz erzeugen. So wird die Konvektionswärme genutzt.

INSTALLATION

- Sie haben einen Kaminofen gekauft, der über eine Verbrennungskammer verfügt, überzogen mit Vermiculite. Entfernen Sie nicht diese Teile aus Vermiculit von dem Kaminofen.

Achtung: Die Installation des Ofens darf nur von einem Fachmann durchgeführt werden. Informieren Sie sich über die regional geltenden Bauvorschriften bevor Sie mit der Montage beginnen.

RAUCHROHR:

- Die Verbindungsfugen zwischen den Rohren sind mit einer feuerfesten Dichtungsmasse abzudichten, sodass kein Russ austreten kann.
- Die Installation sollte so vertikal wie möglich, unter Vermeidung von Rohrbögen und Abzweigen erfolgen.
- Falls der Ofen an einen gemauerten Kaminschacht angeschlossen wird, sollten die Rauchrohre nach Möglichkeit im gesamten Kamin verlegt werden.
- Ausschließlich mit den Rauchrohren durchgeführte Installationen sollten eine Länge von mindestens 3 m ohne Krümmung aufweisen.

Achten Sie darauf, dass die Lüftungsöffnungen immer frei bleiben.

- Achtung: Der Ofen darf nur in Räumlichkeiten mit ausreichender Lüftung installiert werden. - Ofen, Rauchrohr und Kamin müssen für die Reinigung zugänglich bleiben. Bei Aufstellung des

Ofens in der Nähe einer feuerfesten Wand wird empfohlen, einen Mindestabstand für Reinigungsarbeiten einzuhalten.

MONTAGE:

- Der untere Teil des Kaminofeneinsatzes muss einen direkten Lufteinlass von innen oder außen mit einer Größe von mindestens 200 cm² haben.
- Es wird empfohlen, im Bereich zwischen der Decke und dem oberen Teil des Kaminofeneinsatzes ein Lüftungsgitter anzubringen, das alle Bereiche in der Nähe isoliert (um die Dichtheit zu verbessern), um die Konvektionswärme zu nutzen. Dazu muss um das Gerät ein Mindestabstand von 50 mm verbleiben, um die Konvektionskammer zu schaffen.

- Vor dem Einbau des Kaminofeneinsatzes wird empfohlen, alle beweglichen Teile aus dem Innenraum zu entfernen, um deren Bruch zu vermeiden. Wenn der Kaminofeneinsatz an seinem endgültigen Platz ist, bauen Sie den Innenraum wieder zusammen.
- Sobald der Kaminofeneinsatz installiert ist, führen Sie einen vorläufigen Betriebstest durch. Dann können Sie mit der Einmauerung beginnen, empfohlen von unten nach oben.
- Die Mauerwerkbaustoffe dürfen nicht auf dem Kaminofeneinsatz aufliegen, es müssen mindestens 5 mm verbleiben, um zu vermeiden, dass die Metallausdehnungen Risse in der oberen Wand verursachen.

HEIZMATERIAL

- Heizen Sie den Ofen mit trockenem Brennholz (max. Feuchtigkeitsgrad: 20%). Bedenken Sie, dass feuchtes Brennholz (mit 50% oder 60% Feuchtigkeit) kaum Heizwärme erzeugt, sehr schlecht verbrennt und dabei Teer sowie hohe Mengen an Wasserdampf freigibt und Ablagerungen am Gerät, dem Sichtfenster und in den Rauchrohren verursacht. Auch Holzbrickets können mit diesem Ofen verheizt werden.
- Verwenden Sie zum Anzünden geeignete Ofenanzünder bzw. Papier und Kleinholz. Verwenden Sie auf keinen Fall Alkohol oder ähnliche Produkte zu diesem Zweck.
- Verbrennen Sie keinen Hausmüll, Plastikabfälle oder fetthaltige Produkte. Diese verschmutzen die Umwelt und können durch Verstopfen des Rauchabzugs Brandgefahr hervorrufen.

BETRIEB

- **Während der ersten Betriebsstunden ist mit einer gewissen Rauchentwicklung zu rechnen. Diese entsteht durch die Verbrennung bestimmter Bestandteile des Hitzeschutzanstrichs. Dabei kommt es zum Einbrennen der Farbpigmente in die Ofenoberfläche. Daher wird empfohlen, für ausreichende Lüftung zu sorgen, bis dieser Vorgang abgeschlossen ist.**
- Der Ofen ist nicht für den Betrieb mit geöffneter Ofentür konzipiert.
- Der Ofen ist für den diskontinuierlichen Heizbetrieb mit Unterbrechungen zum Nachlegen von Brennstoff ausgelegt.
- Zum Anzünden wird die Verwendung von Papier und Kleinholz bzw. Ofenanzündern empfohlen. Nach dem Anzünden ist der Ofen vorerst mit zwei 1 bis 1.3 kg schweren Holzscheiten zu beschicken. Die Zugklappen des Ofens müssen dabei vollständig geöffnet sein. Erforderlichenfalls kann zu Beginn auch die Aschenlade geöffnet werden.
- Sobald der Ofen gut brennt, schließen Sie die Aschenlade vollständig (falls Sie diese geöffnet haben) und regeln Sie die Brandstärke durch mehr oder weniger starkes Öffnen bzw. Schließen der Zugklappen.
- Zur Erreichung der Nennleistung des Ofens ist in Abständen von jeweils 45 Min. ca. 1,58 kg Brennholz nachzulegen. Die Holzscheite sind waagrecht mit einem leichten Abstand zueinander einzulegen, um eine gute Verbrennung zu gewährleisten. Warten Sie mit dem Nachlegen, bis das Brennholz im Ofen bis auf einen Glutrest verbrannt ist.
- Zur Erzielung einer langsamen Brandgeschwindigkeit ist die Brandstärke mit den Zugklappen entsprechend einzustellen. Die Zugklappen müssen immer für den Zutritt von Verbrennungsluft frei sein.
- Die Messingteile nehmen nach den ersten Heiztagen einen kupferfarbenen Ton an. Dies ist normal.
- Die Glasfaserdichtung des Sichtfensters zerfällt mit der Zeit. Obwohl der Ofen auch ohne diese Dichtung betrieben werden kann, wird empfohlen, die Dichtung vor Beginn jeder Heizsaison zu ersetzen.
- Die untere Schublade dient zum Entnehmen der Asche. Um Schäden am Feuerrost zu

vermeiden, leeren Sie diese regelmäßig aus, bevor sie zu voll ist. Vorsicht: Die Asche kann bis zu 24 Stunden nach dem Abbrennen noch heiß sein.

- Öffnen Sie die Ofentür nur langsam, um das Austreten von Rauch zu vermeiden. Öffnen Sie die Ofentür niemals bei geschlossenen Zugklappen. Die Ofentür sollte nur zum Nachlegen von geeignetem Heizmaterial geöffnet werden.
- Sichtfenster, Messingteile sowie der Ofen insgesamt können sehr hohe Temperaturen erreichen. Vorsicht: Verbrennungsgefahr! Verwenden Sie zum Anfassen der genannten Teile den mitgelieferten Handschuh.
- Halten Sie Kinder vom brennenden Ofen fern, um Brandverletzungen zu vermeiden. - Falls das Anzünden Schwierigkeiten bereitet (in der Übergangszeit, bei kaltem Schornstein etc.), kann vor dem Einlegen von Holz ein kleines Feuer mit zerknülltem Papier entfacht werden.
- Bei Überhitzung des Ofens schließen Sie die Zugklappen, um die Brandstärke zu verringern.
- Sollten Probleme beim Betrieb des Ofens auftreten, schließen Sie die Zugklappen und wenden Sie sich an den Hersteller.

WARTUNG

- Es wird empfohlen, das Sichtfenster regelmäßig zu reinigen, damit es nicht vom Russ geschwärzt wird. Zu diesem Zweck sind im Handel Spezialreiniger erhältlich. Verwenden Sie dazu niemals Wasser. Versuchen Sie nie, den Ofen während des Heizbetriebs zu reinigen.
- Auch die Rauchrohranschlüsse sind regelmäßig zu reinigen und nach einem längeren Stillstand des Ofens vor Inbetriebnahme desselben auf freien Rauchdurchzug zu überprüfen. Vor Beginn der Heizsaison sollte die Installation von einem Fachmann überprüft werden.
- Bei einem Kaminbrand schließen Sie nach Möglichkeit die Luftzufuhr und verständigen Sie umgehend die Feuerwehr.
- Verwenden Sie ausschließlich vom Hersteller empfohlene Ersatzteile.
- Der Schnur vom Glass ist tragen vorbehaltlich. In diesem Fall soll man der Schnur ersetzen für eine neue.

GEWÄHRLEISTUNG

Der von Ihnen gekaufte Ofen ist ein sorgfältig hergestelltes, hochwertiges Produkt. Sollten Sie dennoch irgend einen Schaden feststellen, so setzen Sie sich bitte mit dem Händler in Verbindung. Falls der Händler das Problem nicht lösen kann, wird er sich mit uns in Verbindung setzen und ggf. den Ofen einsenden. Unser Unternehmen ersetzt alle schadhaften Teile bis fünf Jahre ab Kaufdatum gratis. Die Transportkosten gehen jedoch zu Lasten des Kunden.

Wenn eine Verformung im Inneren der Brennkammer auftritt, ist dies auf eine Überhitzung des Geräts zurückzuführen und wird daher NICHT durch die Garantie abgedeckt.

Da dieses Gerät getestet wurde von einem zertifizierten Labor werden die folgenden Teile nicht durch die Garantie abgedeckt:

- Scheibe
- Rundrost
- Vermiculite
- Griffe, Knöpfe, etc.

Im Inneren der Verpackung befindet sich ein Qualitätskontrollblatt. Wir bitten Sie, dieses im Reklamationsfall dem Händler auszuhändigen.

ABMESSUNGEN UND TECHNISCHE DATEN

- Höhe	510 mm
- Breite.....	590 mm
- Tiefe.....	400 mm
- Gewicht	81 Kg
- Feuerungstür	460 x 280 mm
- Rauchanschluss.....	150 mm
- Ofenkörper aus 4 + 3 mm dickem Stahl	
- Feuerrost aus Gusseisen	
- Hitzeschutzanstrich bis 800 °C hitzebeständig	
- Glaskeramikfenster hitzebeständig bis 750 °C	
- Holzscheite bis 50 cm Länge	

- Nennheizleist	5.9 kW
- Wirkungsgrad.....	77 %
- CO-gehalt	0.10 %
- Erforderl. Zug zur Erreichung der Nennleistung.....	12 Pa
- Abgasmassenstrom	6.2 g/s
- Abgastemperatur.....	261 °C
- Mindestabstand zu brennbaren Materialien	50 cm
- Beheizbarer Raum (ca.).....	180 m ³

 EN 13229: 2001 & A2: 2004	H I J O D E M I G U E L PANADERO P.I. CAMPOLLANO AVDA. 5º NORTE, 13-15 02007 ALBACETE - SPAIN
	KAMINOFEN R "H IZQ / H DER"..... 21 UNABHÄNGIGER OFEN FÜR FESTBRENNSTOFFE CERTIFICATE N° TD 4799;TD 4799P LEISTUNGSERKLÄRUNG 19082 / 19083 NOTIFIZIERTEN STELLE..... 1677
Nennleistung.....5.9 kW Wirkungsgrad..... 77 % CO-gehalt..... 0.10% Abgastemperatur 261 °C Mindestabstand zu brennbaren Materialien 50 cm Feinstaub bei 13% O ₂30 mg/Nm ³ Brennstoffe..... Brennholz und Holzbriketts	

ISTRUZIONI D'USO E MANUTENZIONE

Ha acquistato un prodotto della marca PANADERO; oltre a una corretta manutenzione, le nostre stufe richiedono un'installazione in conformità alla legislazione in vigore. I nostri prodotti sono conformi alla norma europea EN 13229, ma è molto importante che l'utente sappia utilizzare correttamente la sua stufa seguendo le nostre raccomandazioni. **Per questa ragione, prima d'installare il nostro prodotto deve leggere attentamente il presente manuale e seguire le nostre istruzioni d'uso e di manutenzione.**

Nel nostro inserto la forma di trasmettere il calore è doppia, prima attraverso la grande superficie vetro ceramico con calore radiante e l'altro è il calore generato nelle pareti del inserto che possiamo recuperare facendo una installazione ottimale, lasciando spazio intorno alla casa, creando correnti d'aria che lo circondano, sfruttando la convezione del calore

INSTALLAZIONE

- Avete acquistato una stufa a legna progettata con la camera di combustione rivestita con vermiculite

ATTENZIONE: L'installazione di questo inserto deve essere effettuata da un professionista qualificato. Tutti i regolamenti e norme locali, nazionali ed europei devono essere soddisfatti quando si installa l'inserto.

Condotto di scarico Fumi:

L'inserto non deve essere installato su un sistema di evacuazione fumi in comune con altri dispositivi.

- Mettere un insieme di tubi ben collegati, sigillati con prodotti specifici per evitare la fuoriuscita di fuliggine, collegare il primo tubo con un minimo di 40 mm di diametro.
- L'installazione della tubazione deve essere il più verticale possibile, evitando uso di gomiti e deviazioni i quali possono causare il malfunzionamento dell'inserto.

- Un impianto realizzato con solo tubi, deve avere almeno 3 metri lineari.
- Si consiglia di mettere un comignolo girevole sull'ultimo tramo di tubo.

Posizionamento:

- accertarsi che il pavimento possa sopportare il peso dell'apparecchio e provvedere ad un adeguato isolamento nel caso sia costruito in materiale infiammabile;
- E' necessario pianificare una accessibilità per permettere la pulizia dell'inserto e della canna fumaria.
- Davanti al focolare non deve esserci alcun oggetto (mobili, tende, carta abbigliamento) o materiale di costruzione infiammabile e sensibile al calore a meno di 80cm di distanza
- Assicurarsi che nella stanza dove sarà installato vi sia una ventilazione adeguata, a tale proposito consigliamo di avere almeno una finestra.

Montaggio:

Il fondo dell'inserto deve avere una presa d'aria diretta, all'interno o al di fuori, di una dimensione non inferiore a 200 cm²

- Si consiglia di installare uno sfianto nella zona tra il tetto e la parte superiore dell'inserto, isolare tutte le aree circostanti (per migliorare la tenuta), al fine di utilizzare la convezione di calore. Lasciare una distanza minima di 50 mm intorno all'unità per creare la camera di convezione.
- Prima di installare l'inserto si consiglia di rimuovere tutte le parti mobili all'interno per evitare la rottura e una volta collocato nella posizione definitiva riposizionare le parti tolte. Una volta collocato, effettuate un test preliminare prima di sigillare il tutto e consigliato iniziare dal basso verso l'alto.
- La muratura non deve essere appoggiata sull'inserto ma bisogna lasciare un minimo di 5 mm di margine per permettere eventuali espansioni del metallo evitando di creare fessure nella parete superiore della muratura.

COMBUSTIBILE

- Come combustibile bisogna usare legna secca, facendo in modo che non superi del 20% il livello d'umidità. E' necessario tener presente che della legna con un 50% o un 60% di umidità non riscalda, ha una pessima combustione, produce molto catrame, libera un'eccessiva quantità di vapore acqueo e forma eccessivi sedimenti nella stufa, sul cristallo e nel condotto del fumo. Si possono usare anche delle bricchette di legno pressato.
- Accendere il fuoco con le apposite pastiglie o con l'aiuto di carta e legna fine. Non bisogna mai usare per accendere il fuoco alcol o prodotti simili.
- Non bruciarvi rifiuti domestici, materie plastiche o prodotti grassi che inquinano l'ambiente e possono provocare rischi d'incendi per ostruzione del condotto.

FUNZIONAMENTO

- **Le prime volte che si accende è normale che venga prodotto del fumo. Ciò è dovuto al fatto che si bruciano certi componenti della vernice anticalore mentre il pigmento aderisce alla stufa stessa. Per tale ragione è raccomandabile ventilare abbondantemente la stanza finché questo fenomeno sparisce.**
- L'inserto non è stata progettata per funzionare con lo sportello aperto.
- Il dispositivo è pensato per lavorare in maniera intermittente con intervalli di ricarica di combustibile.
- Per quanto riguarda il processo d'accensione dell'inserto si raccomanda di usare carta, pastiglie combustibili e piccoli legnetti. Una volta che il fuoco inizia a prendere, aggiungere nel primo carico due bastoni da 1,5 a 2 Kg. di peso. In questo processo d'accensione il tiraggio d'aria dell'inserto deve essere completamente aperto. Se fosse necessario è possibile anche aiutarsi all'inizio mediante l'apertura del cassetto della cenere.
- Una volta che il fuoco è diventato intenso, chiudere completamente il cassetto della cenere (se è stato aperto in precedenza) e regolare l'intensità del fuoco chiudendo in maggiore o minore misura il tiraggio dell'aria.
- Per ottenere la potenza nominale di questo inserto bisogna collocare una quantità di legna di circa 1.7 Kg. di peso a intervalli di 45 min. I tronchi vanno collocati in senso orizzontale leggermente separati tra loro, in modo da garantire una corretta combustione. Non si deve ricaricare il dispositivo finché non è stata consumata la legna precedente e sia rimasta solo la riserva di braci.
- Per ottenere una combustione lenta bisogna regolare l'intensità del fuoco con il tiraggio dell'aria. Quest'ultimo deve essere sempre libero da intoppi per permettere l'entrata dell'aria per la combustione.
- E' normale che, con l'uso, si sgretoli la guarnizione di fibra di vetro del cristallo. Benché l'inserto possa funzionare senza questa guarnizione, si raccomanda di sostituirla ogni stagione.
- Il cassetto inferiore serve a togliere la cenere. Svuotarlo con frequenza, senza attendere che si riempia troppo onde evitare che si rovini la griglia; prestare attenzione alla cenere che può essere ancora calda fino a 24 ore dopo che è stato spento il fuoco.
- Non aprire lo sportello del dispositivo in maniera brusca in modo da evitare la fuoriuscita di fumo. Non aprire mai lo sportello della stufa senza aver prima aperto il tiraggio. Aprire lo sportello solo allo scopo di ricaricare il combustibile adeguato.
- Il cristallo, i pezzi d'ottone e il dispositivo in genere possono raggiungere temperature molto elevate, fare quindi attenzione a non bruciarsi. Per maneggiare queste parti, usare il guanto

- Non aprire lo sportello del dispositivo in maniera brusca in modo da evitare la fuoriuscita di fumo. Non aprire mai lo sportello della stufa senza aver prima aperto il tiraggio. Aprire lo sportello solo allo scopo di ricaricare il combustibile adeguato.
- Il cristallo, i pezzi d'ottone e il dispositivo in genere possono raggiungere temperature molto elevate, fare quindi attenzione a non bruciarsi. Per maneggiare queste parti, usare il guanto allegato all'inserto.
- Tenere i bambini lontani dell'inserto mentre si usa per evitare che si brucino.
- Se sorgono problemi (stagione intermedia, camino freddo, ecc.) si può accendere un fuoco di richiamo" con della carta appallottolata, che favorisce l'attivazione dell'inserto.
- Nel caso in cui si verifichi del surriscaldamento, chiudere il tiraggio dell'aria per ridurre l'intensità del fuoco.
- Nel caso in cui ci sia un cattivo funzionamento, chiudere il tiraggio dell'aria e rivolgersi al fabbricante.

MANUTENZIONE

- Conviene pulire periodicamente il cristallo per evitare che i resti di fuliggine lo anneriscano. Esistono in commercio degli strumenti di pulizia appositi. Non usare mai dell'acqua. Non cercare mai di pulire la stufa mentre sta funzionando.
- E' anche importante pulire periodicamente i condotti dei fumi, inoltre, bisogna verificare che non ci siano parti intasate prima di accendere di nuovo la stufa dopo un periodo prolungato d'inattività. All'inizio di ogni stagione è importante che un tecnico professionista esegua una manutenzione dell'impianto.
- In caso d'incendio nel camino, se possibile, chiudere il tiraggio dell'aria e rivolgersi immediatamente alle autorità competenti.
- Qualsiasi pezzo di ricambio che sarà necessario sostituire deve essere raccomandato da noi.
- La treccia di fibra di vetro usata per le giunte si può deteriorare con il tempo. Se fosse il caso, si deve cambiare per un nastro nuovo.

GARANZIA

Questo inserto è un prodotto di elevata qualità, fabbricata con grande perizia. Nel caso in cui, ciò nonostante, si dovesse verificare qualche difetto, deve rivolgersi prima al proprio distributore. Se quest'ultimo non è in grado di risolvere il problema, dovrà mettersi in contatto con noi e, se necessario ci manderà la stufa. La nostra ditta sostituisce gratuitamente qualsiasi pezzo difettoso per cinque anni dalla data d'acquisto. Le spese di trasporto, tuttavia, verranno sostenute dal cliente.

Dato che questo dispositivo è stato testato da un laboratorio certificato non sono sotto garanzia le seguenti pezzi:

- Vetro
- Griglia
- Vermiculite
- Maniglie e cerniere

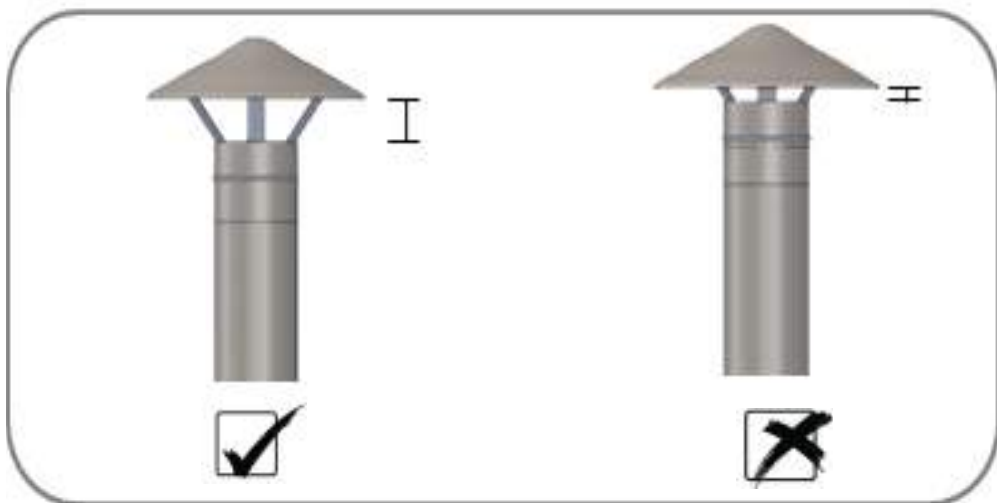
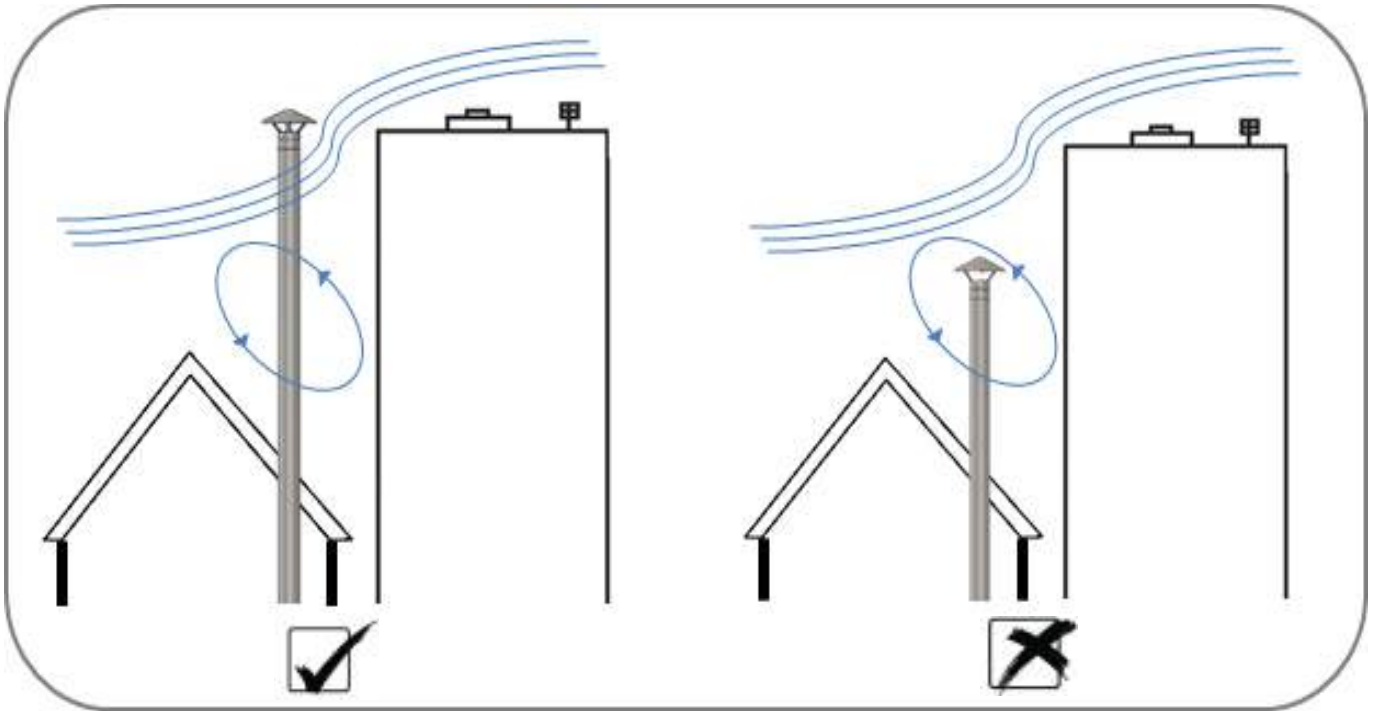
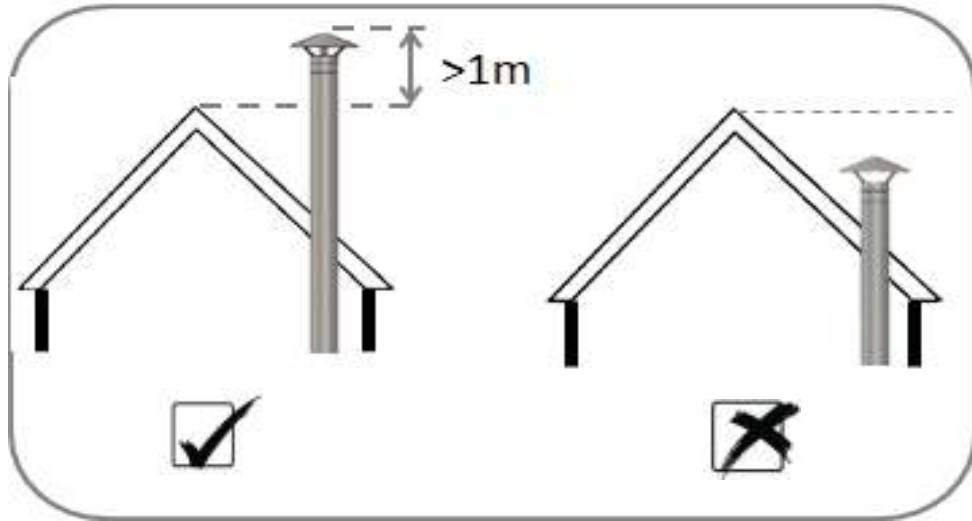
All'interno dell'imballaggio, si trova una scheda di controllo qualità, la preghiamo di farla pervenire al distributore in caso di reclamo.

MISURE E CARATTERISTICHE

- Altezza.....	510 mm
- Larghezza.....	590 mm
- Profondità.....	400 mm
- Peso.....	81 Kg
- Portello inserimento legna.....	460 x 280 mm
- Diametro scarico fumi.....	150 mm
- Griglia di ghisa	
- Vernice anticalore resistente a 800 °C	
- Cristallo in vetroceramica 750 °C	
- Lunghezza massima tronchi: 60 cm	

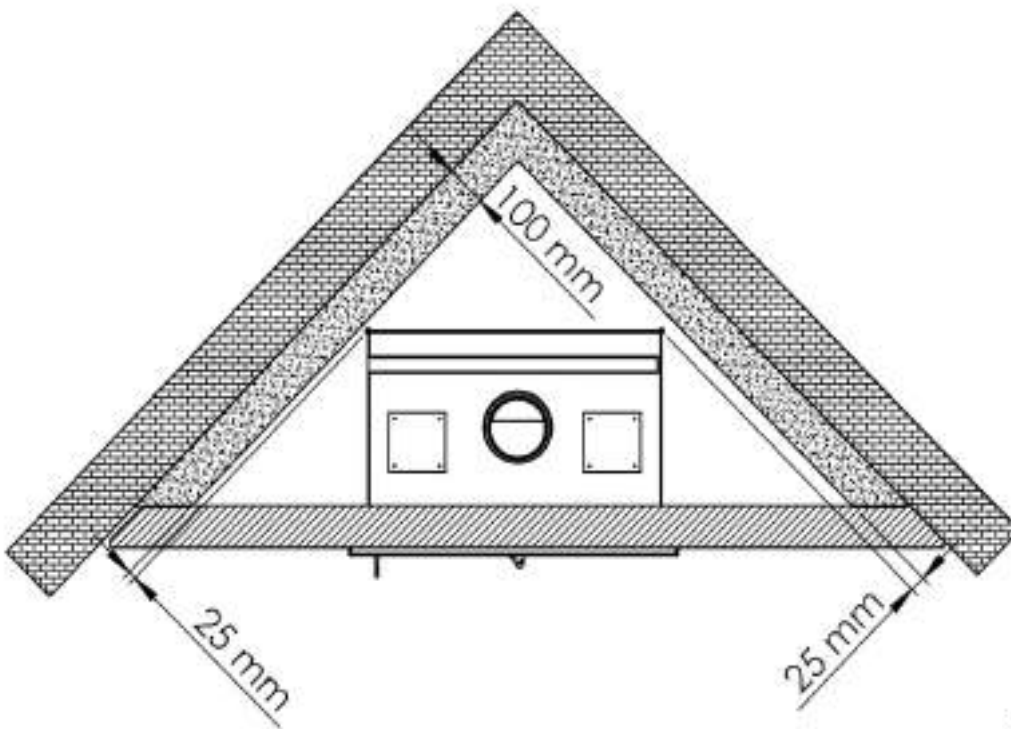
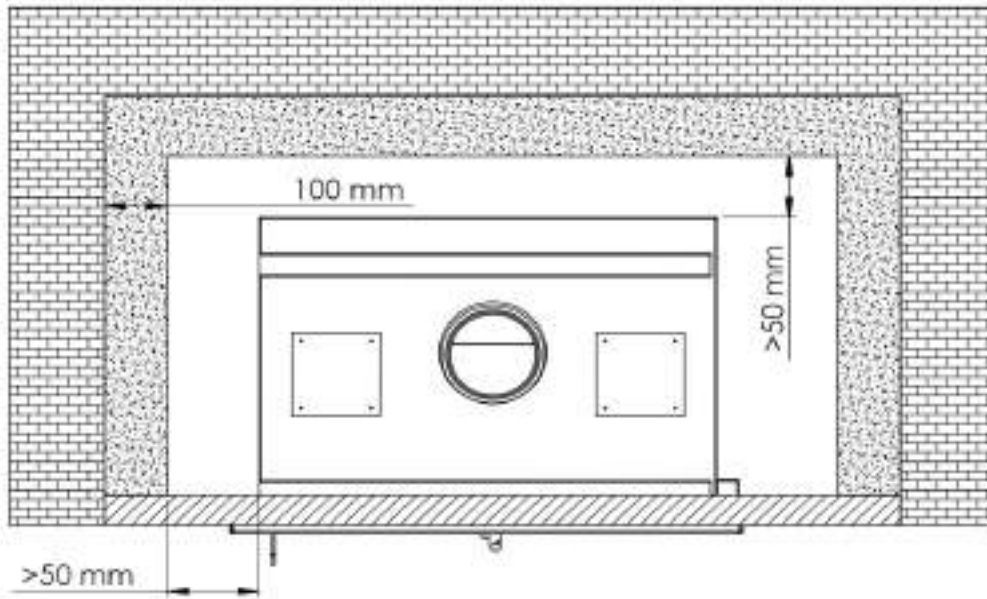
- Potenza termica nominale.....	5.9 kW
- Rendimento.....	77 %
- Emissione di CO al 13% di O2.....	0.10 %
- Tiraggio nel camino per potenza nominale.....	12 Pa
- Portata massica del fumo.....	6.2 g/s
- Temperatura del fumo.....	261 °C
- Distanza minima da materiali infiammabili	50 cm
- Volume di riscaldamento (circa.)	180 m ³

 EN 13240: 2001 & A2: 2004	HIJO DE MIGUEL PANADERO P.I. CAMPOLLANO AVENIDA 5ª, 13-15 02007 ALBACETE - SPAIN
INSERTO "H IZQ/ H DER" 21 INSERTO PER COMBUSTIBILE SOLIDO CERTIFICATE N° TD 4799;TD 4799P DICHIARAZIONE DI PRESTAZIONE19082 / 19083 ORGANISMO NOTIFICATO 1677	
Potenza termica nominale.....	5.9 kW
Rendimento.....	77 %
Emissione di CO al 13% di O2.....	0.10 %
Temperatura del fumo.....	261 °C
Dust concentration at 13% O2.....	30 mg/Nm ³
Tipi di combustibile.....	Legna e bricchette





OUTDOOR AIR INTAKE
60 mm



INSULATING MATERIAL
RESISTANT TO HIGH T°
(ROCKWOOL)

CECI EST UN ISOLANT RESISTANT
A HAUTE T° (LAINE DE ROCHE)

MATERIAL AISLANTE RESISTENTE
A ALTAS T° (LANA DE ROCA)

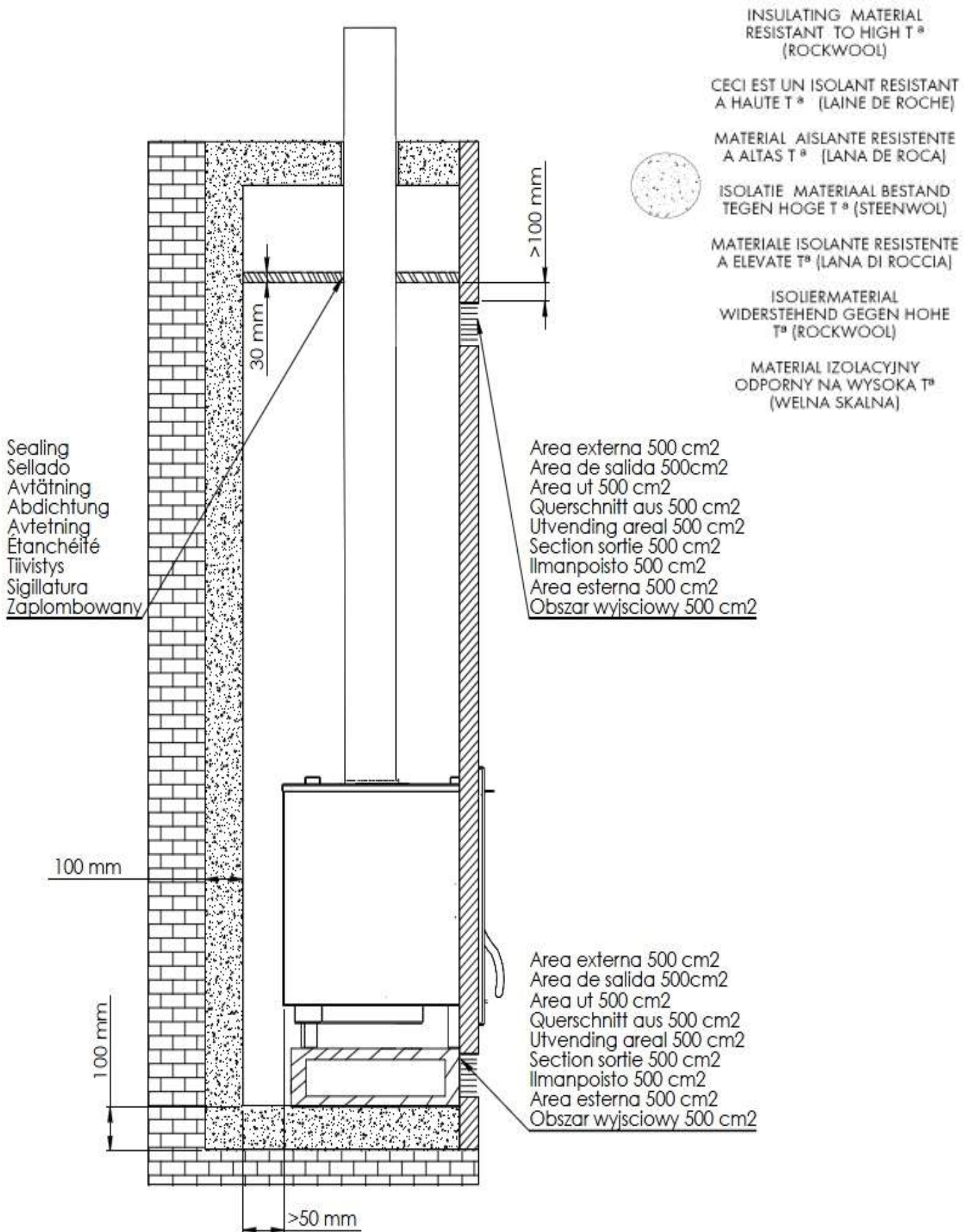
ISOLATIE MATERIAAL BESTAND
TEGEN HOGE T° (STEENWOL)

MATERIALE ISOLANTE RESISTENTE
A ELEVATE T° (LANA DI ROCCIA)

ISOLIERMATERIAL
WIDERSTEHEND GEGEN HOHE
T° (ROCKWOOL)

MATERIAL IZOLACYJNY
ODPORNY NA WYSOKA T°
(WELNA SKALNA)





HOW TO OPERATE YOUR WOOD STOVE EFFICIENTLY



ACCENSIONE E FUNZIONAMENTO DI UNA STUFA ECODESIGN



ALLUMAGE ET FONCTIONNEMENT D'UN POËLE ECODESIGN



ZÜNDUG UND BETRIEB EINES ECODESIGNKAMINOFENS



ENCENDIDO Y FUNCIONAMIENTO DE UNA ESTUFA ECODESIGN



ZAPLON I DZIAŁANIE PIECA NA DREWNO



WERKING VAN EEN ECODESIGN KACHEL



ZAPLENÍ A SPRVNE FUNGOVANÍ KAMEN ECODESIGN



ILUMINAÇÃO E FUNCIONAMENTO DE UMA SALAMANDRA ALIENHA



FATUZELESU KALYHA MEGVILAGITASA ES MUKODTETESE



P03139

HIJO DE MIGUEL
PANADERO

P. I. CAMPOLLANO
AVENIDA 5º, 13-15
02007 ALBACETE - SPAIN
Telf.: (+34) 967 59 24 00
Fax: (+34) 967 59 24 10
panadero@panadero.com